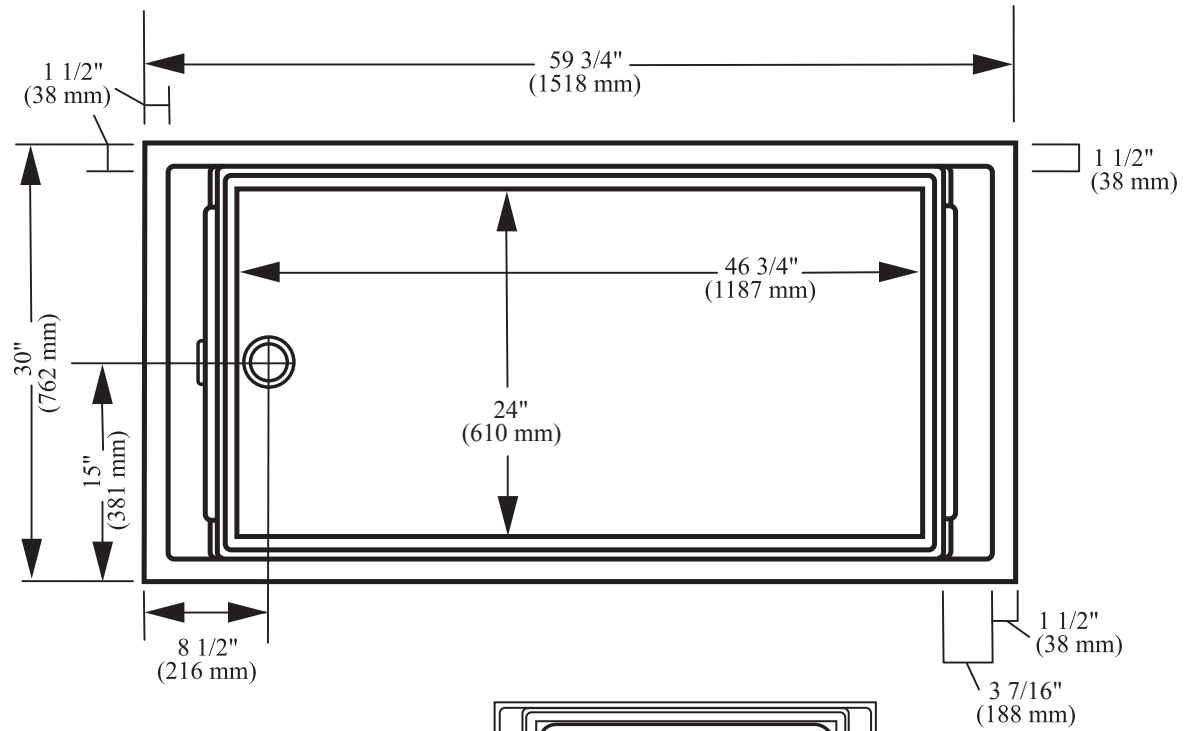


Clarke model #:
CAT603014DI-01
 Alternative number:
UR6030FSTNBMW

Specifications

- 59 3/4" Length overall
- 30" Width overall
- 15 13/16" Overall height
- Capacity: 35 gallons
- Drain Position: End
- Material: Solid Surface
- Color: Matte White
 (-00 or SW for Satin White)



BOTTOM VIEW

