

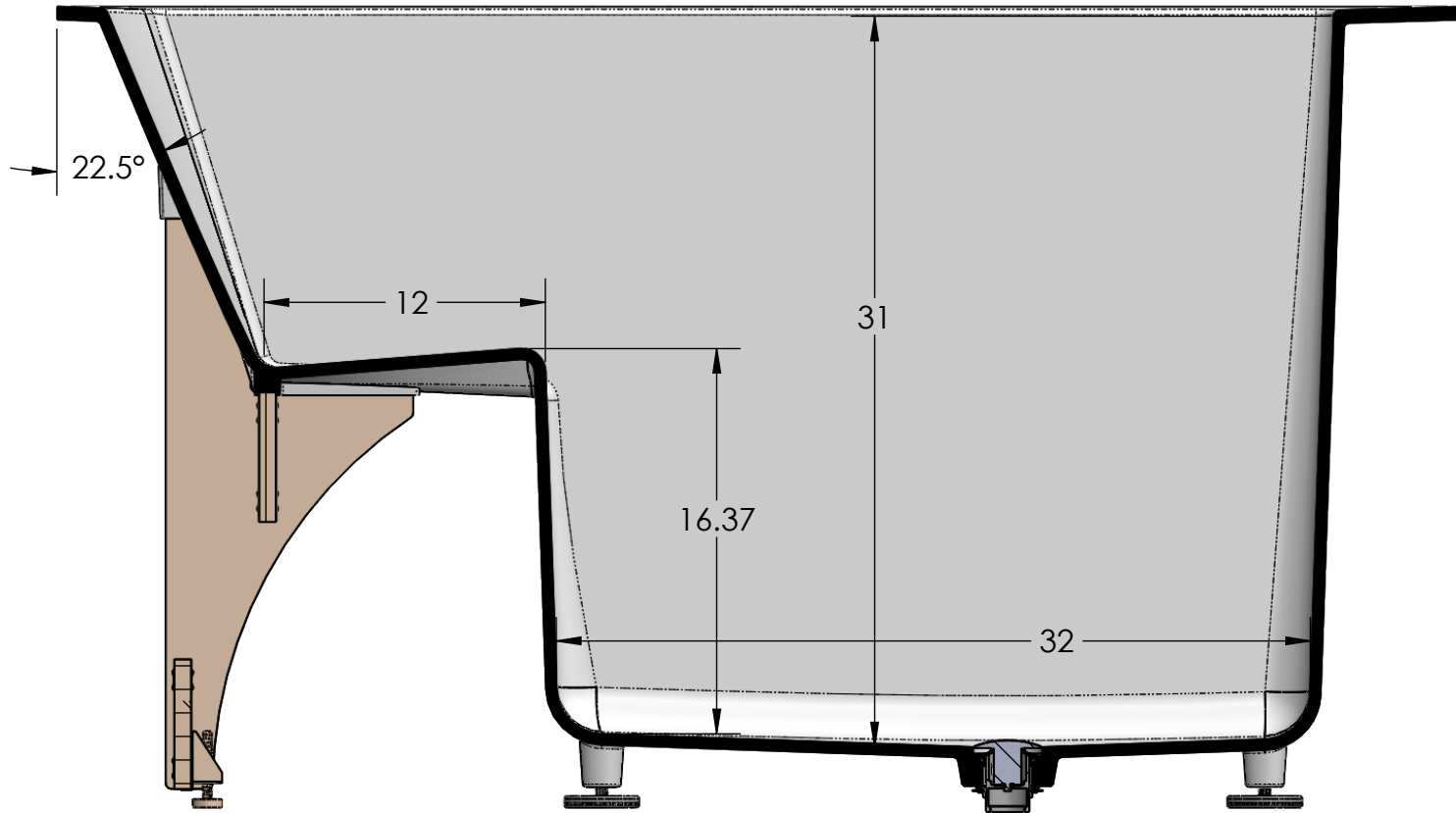
PATENT PENDING

CLARKE
ARCHITECTURAL

THE INFORMATION CONTAINED IN THIS DRAWING IS THE SOLE PROPERTY OF CLARKE PRODUCTS INC. ANY REPRODUCTION IN PART OR AS A WHOLE WITHOUT THE WRITTEN PERMISSION OF CLARKE PRODUCTS INC. IS PROHIBITED.

TITLE: Tub with Door closed
FILE: CLARKE ONE Tub

DRAWN:
MM
1/22/2020
Pg 1 of 4



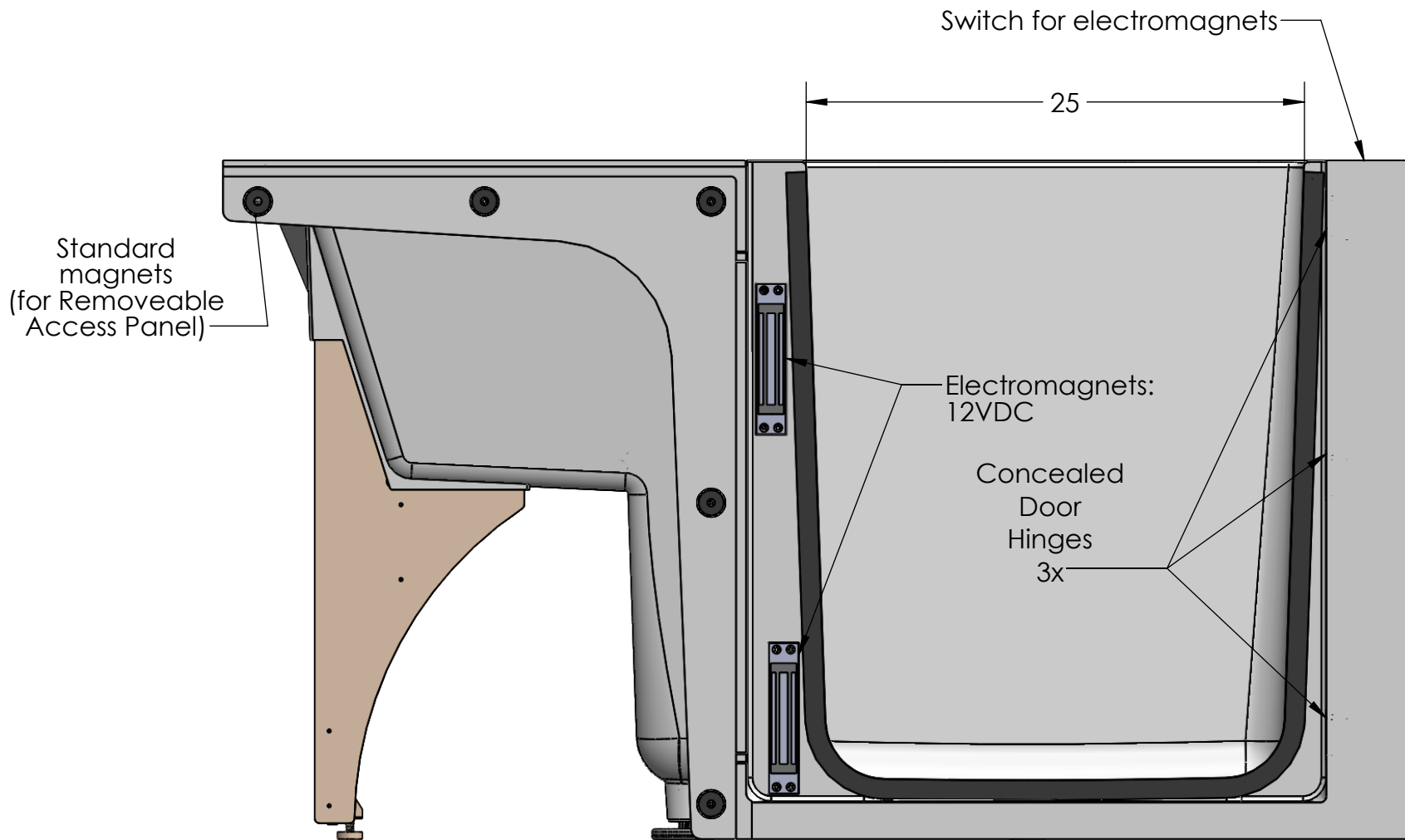
PATENT PENDING

CLARKE
ARCHITECTURAL

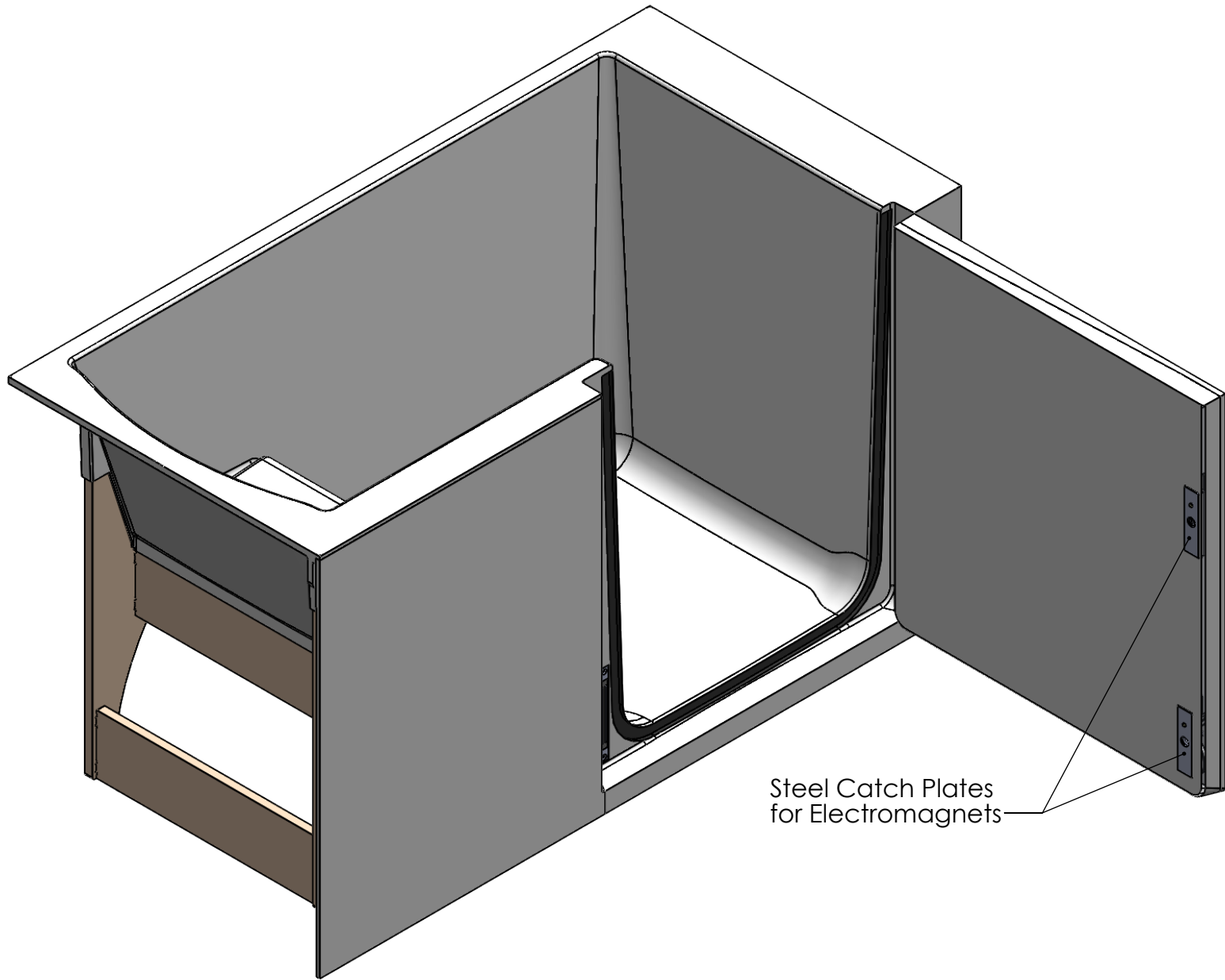
THE INFORMATION CONTAINED IN THIS DRAWING IS THE SOLE PROPERTY OF CLARKE PRODUCTS INC. ANY REPRODUCTION IN PART OR AS A WHOLE WITHOUT THE WRITTEN PERMISSION OF CLARKE PRODUCTS INC. IS PROHIBITED.

TITLE: Cross Section
FILE: CLARKE ONE Tub

DRAWN:
MM
1/22/2020
Pg 2 of 4



PATENT PENDING



Steel Catch Plates
for Electromagnets

PATENT PENDING

CLARKE
ARCHITECTURAL

THE INFORMATION CONTAINED IN THIS
DRAWING IS THE SOLE PROPERTY OF
CLARKE PRODUCTS INC. ANY
REPRODUCTION IN PART OR AS A WHOLE
WITHOUT THE WRITTEN PERMISSION OF
CLARKE PRODUCTS INC. IS PROHIBITED.

TITLE: Tub with Door Open
FILE: CLARKE ONE Tub

DRAWN:
MM
1/22/2020
Pg 4 of 4