

Model:  
CA47511 series



A Moen Incorporated Brand

**Flagstone**<sup>®</sup>



UPC<sup>®</sup>

NSF 61/9



## One Handle Kitchen

### DESCRIPTION

- Metal construction with chrome plated finish
- 1/2" IPS connections
- Will accept standard cone/bevelled connection for 3/8" tubing
- Six (6) individual boxes per master carton

### OPERATION

- Pivot action, lever style handle
- Temperature control by 90° arc
- Features international red/blue markings


### FLOW

- Aerator limited to 1.5 gpm (5.7 L/min)

### CARTRIDGE

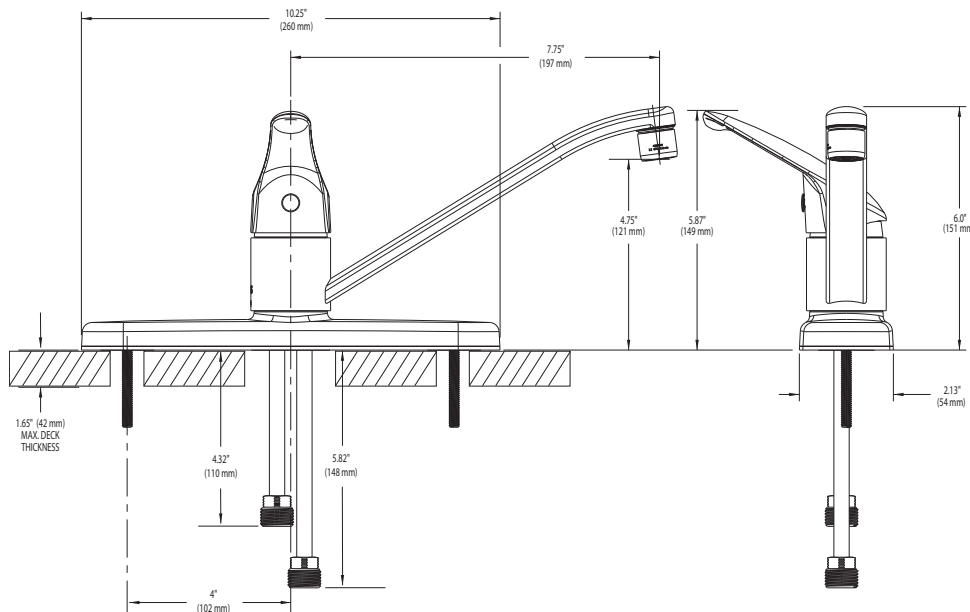
- Ceramic disc technology
- Non-metallic, non-ferrous, and plastic material
- Single body construction for easy replacement

### STANDARDS

- Third party certified to IAPMO Green ASME A112.18.1/CSA B-125.1, ICC A117.1, ANSI/NSF 61/9 and all applicable requirements referenced therein, the Federal Safe Drinking Water Act, California Proposition 65, Illinois, Massachusetts, and Texas
- Meets CalGreen and Georgia SB370 requirements
- Contains no more than 0.25% weighted average lead content
- All CFG products are compliant to all plumbing codes that require 3rd party certification to the applicable plumbing/fitting standards
- Feature red/blue hot/cold temperature indicators
- ADA  for lever handle

### WARRANTY – RESIDENTIAL, COMMERCIAL

- One year limited warranty against defects in materials and manufacturing workmanship
- Refer to the installation instructions enclosed with each CFG product or call 1-888-450-4910 for complete warranty information



CRITICAL DIMENSIONS