



# HOSPITALITY HEAVY-DUTY PLASTIC TOILET SEAT



**MODEL #**

**COLOR #**

**7600T**

## DESCRIPTION :

Closed front with cover, elongated, heavy-duty, injection molded solid plastic toilet seat. Features four, molded-in bumpers, check hinges with non-corrosive 300 Series stainless steel posts and pintles and STA-TITE® Commercial Fastening System™. This seat complies with IAPMO/ANSI Z124.5-2013 Plastic Toilet Seats as a class Commercial Heavy Duty.

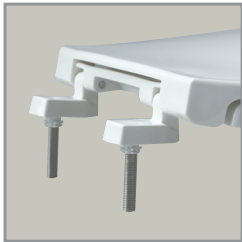
## SPECIFICATIONS :

Size:	Elongated
Material:	Plastic
Style:	Closed Front with Cover
Bumpers:	Four
Hinges:	Plastic with 300 Series Stainless Steel Posts and Pintles
Fastening System:	STA-TITE® Commercial Fastening System™

## FEATURES :

STA-TITE® Commercial Fastening System™

Non-Corrosive 300 Series Stainless Steel Posts and Pintles

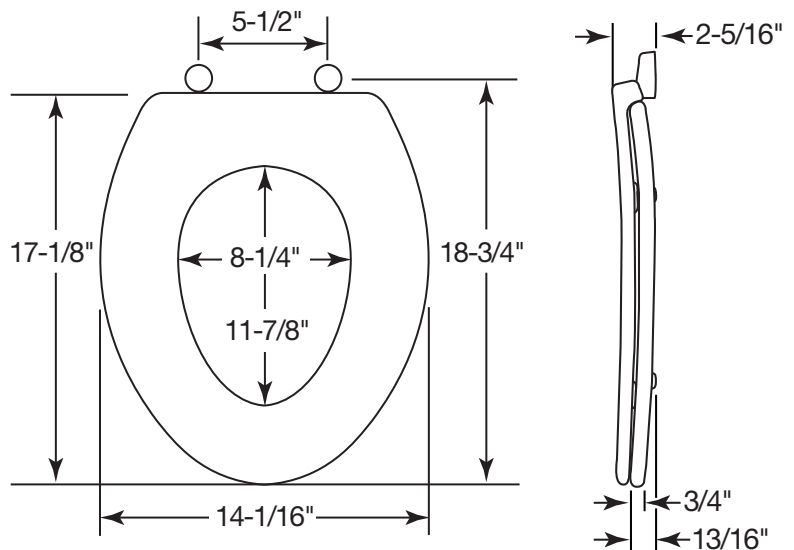


PLASTIC HINGES WITH  
STAINLESS STEEL POSTS  
AND PINTLES



STA-TITE® COMMERCIAL  
FASTENING SYSTEM™

## DIMENSIONS :



Proudly Made in the USA

Church Seats, Sheboygan Falls, WI 53085  
www.ToiletSeats.com

Phone: 800-233-7328 Fax: 800-292-3647