



California Faucets®

CHRISTOPHERGRUBB Collection

# Doheny™

## Two Handle Lavatory Wall Faucet Trim Only

### Features

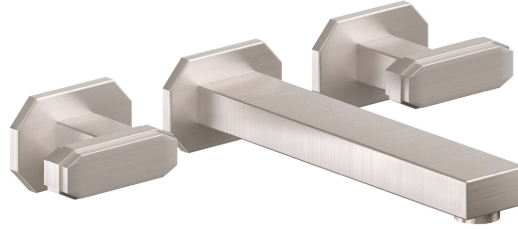
- Available in 26 finishes including 12 PVD finishes
- All brass construction
- 1.2gpm (4.5 L/min) max flow rate
- Rough valve (VL-R) sold separately

### TO-VC202-9 TO-VC202B-9

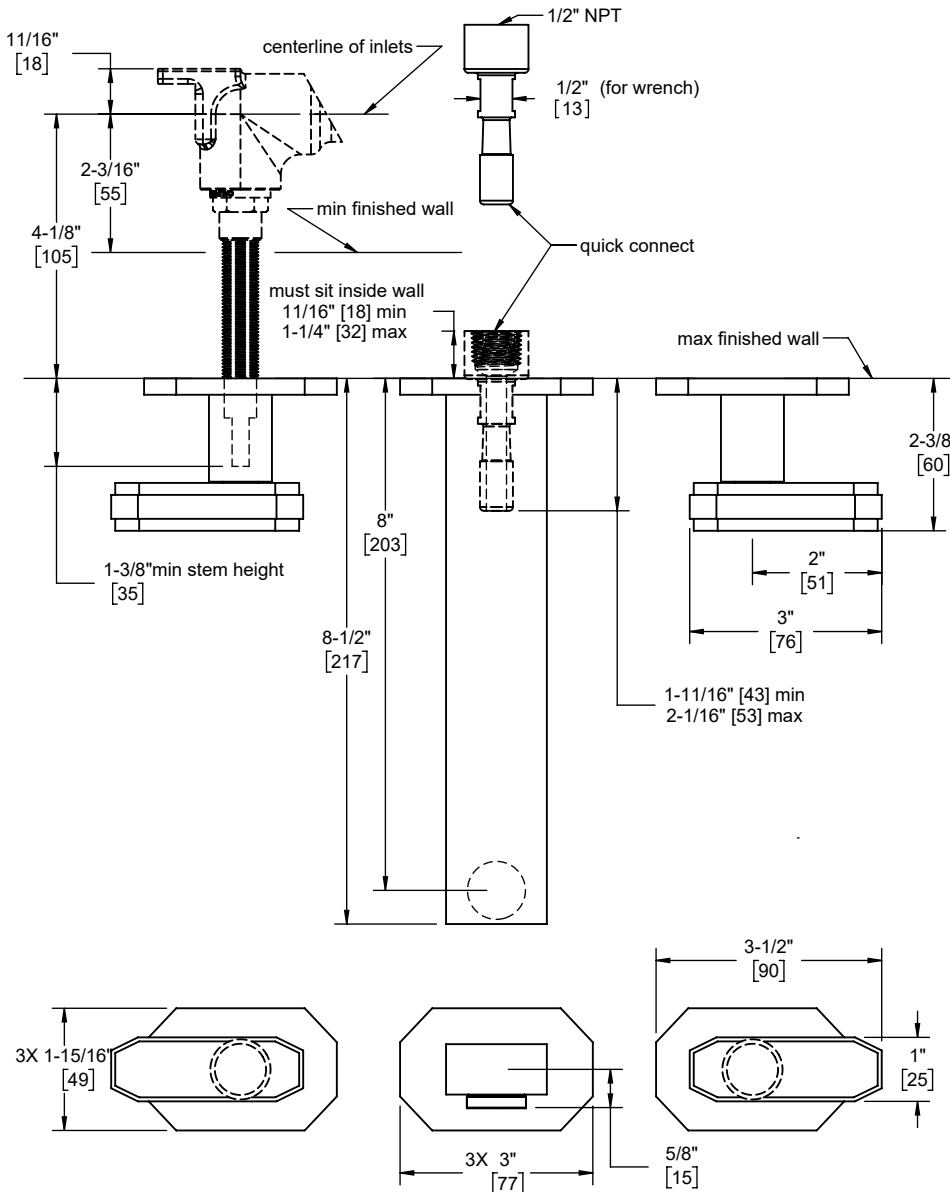
### Codes/Standards Applicable

Product meets or exceeds the following:

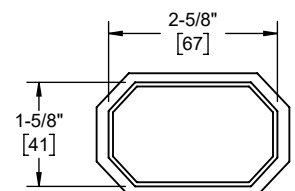
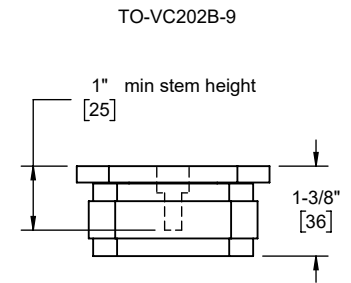
- ASME A112.18.1/CSA B125.1
- NSF/ANSI 61 & NSF/ANSI 372
- CEC / DOE
- EPA WaterSense
- Commonwealth of MA
- ADA compliant (Lever only)



TO-VC202-9 shown



Through-Hole Specifications			
	Min	Recommended	Max
Spout:	Ø 1" [25]	Ø 1-1/4" [32]	Ø 1-11/16" [43]
Handle:	Ø 1-1/4" [32]	Ø 1-1/4" [32]	Ø 1-11/16" [43]



Specifications subject to change without notice

Dimensions are inches, rounded to 1/16"  
[Dimensions in brackets are mm, rounded to 1mm]