



California Faucets®

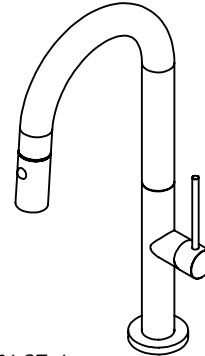
**POETTO™**

**PREP KITCHEN FAUCET**

**Features**

- Solid brass construction
- High-arc 360° rotating spout allows for easy filling of large pots and cleaning
- Magnetic docking secures sprayhead into spout
- One button brass sprayhead has dual function aerated or spray mode
- Spray jets have easy-to-clean surface that withstands mineral build-up
- Quiet polymer-braided hose with rotating joint at sprayhead allows for smooth and non-binding operation
- Ceramic disc cartridge
- 1.8 gpm (6.8 L/min) max flow rate
- Over 30 finishes including 15 PVD finishes

**CF-K50-101-XX**



CF-K50-101-ST shown

XX = DENOTES HANDLE STYLE

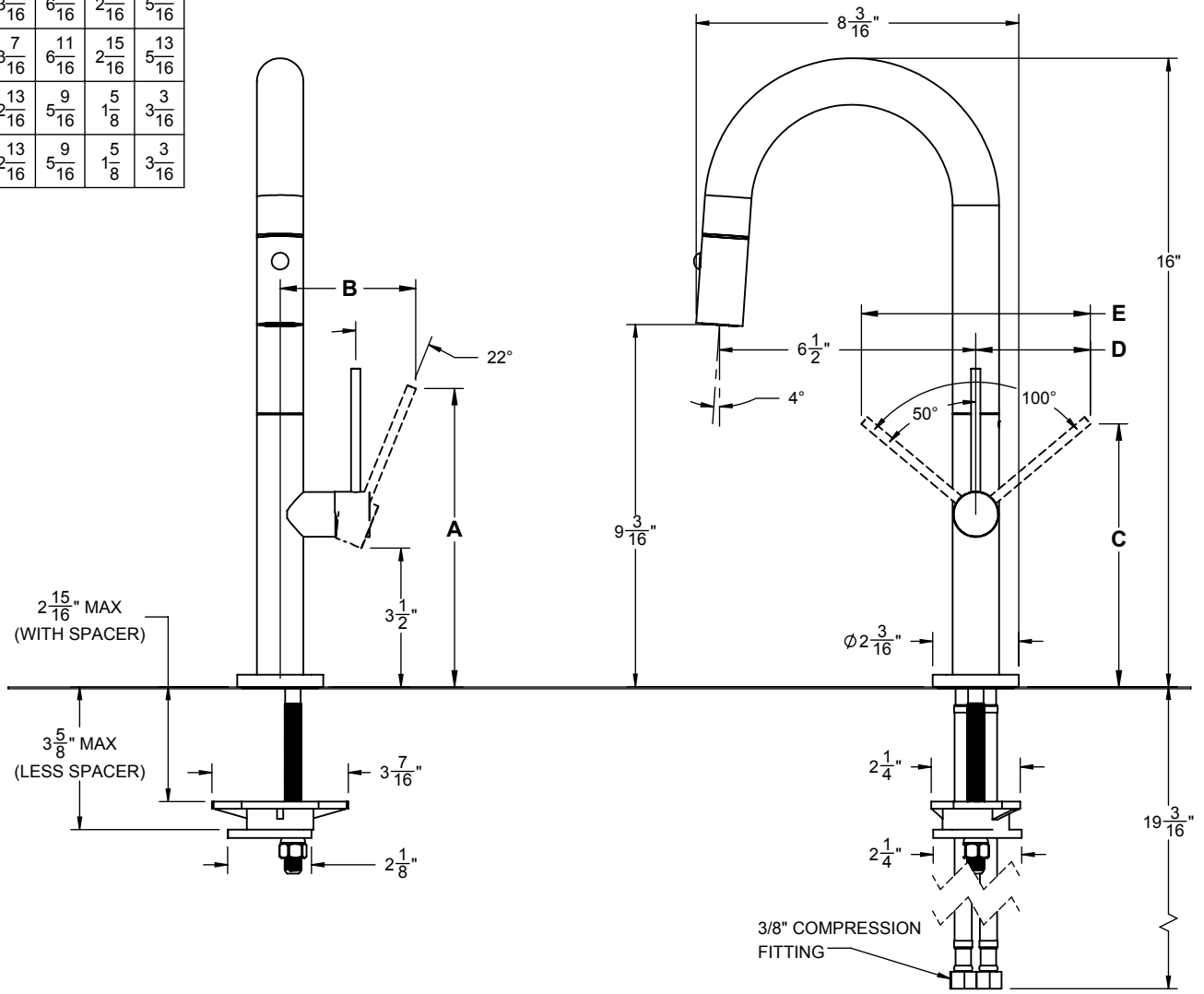
**Codes/Standards Applicable**

Meets or exceeds the following at date of manufacture:

- ASME A112.18.1/CSA B125.1
- NSF 61 and NSF 372

DIMENSIONS (in.)					
XX HANDLE	A	B	C	D	E
ST	7 <sup>9</sup> / <sub>16</sub>	7 <sup>7</sup> / <sub>16</sub>	11 <sup>11</sup> / <sub>16</sub>	15 <sup>15</sup> / <sub>16</sub>	13 <sup>13</sup> / <sub>16</sub>
BST	7 <sup>9</sup> / <sub>16</sub>	7 <sup>7</sup> / <sub>16</sub>	11 <sup>11</sup> / <sub>16</sub>	15 <sup>15</sup> / <sub>16</sub>	13 <sup>13</sup> / <sub>16</sub>
SST	6	2 <sup>13</sup> / <sub>16</sub>	5 <sup>9</sup> / <sub>16</sub>	1 <sup>5</sup> / <sub>8</sub>	3 <sup>3</sup> / <sub>16</sub>
BSST	6	2 <sup>13</sup> / <sub>16</sub>	5 <sup>9</sup> / <sub>16</sub>	1 <sup>5</sup> / <sub>8</sub>	3 <sup>3</sup> / <sub>16</sub>

THROUGH-HOLE SPECIFICATIONS		
MIN	RECOMENDED	MAX
Ø 1-1/4"	Ø 1-3/8"	Ø 1-9/16"



ALL DIMENSIONS SHOWN TO NEAREST 1/16"