



California Faucets®

Steampunk Bay™

TO-85-W, TO-85B-W, TO-85W-W,
TO-8506L, TO-8506BL, TO-8506WL,
TO-8503L, TO-8503BL, TO-8503WL
Handle Tub or Shower Trim Only

Installation Instructions

CALIFORNIA FAUCETS RECOMMENDS THAT ALL PLUMBING PRODUCTS BE INSTALLED BY A LICENSED PROFESSIONAL

IMPORTANT: Read all instructions prior to installation and provide copy of instructions to consumer.

Handle Options



TO-85-W
TO-8506L
TO-8503L



TO-85B-W
TO-8506BL
TO-8503BL



TO-85W-W
TO-8506WL
TO-8503WL

Rough Valves

Single Handle: 50-W-R, 75-W-R, WDV-R, WDV-NS-R, DDV-R

Double Handle: 2-VR

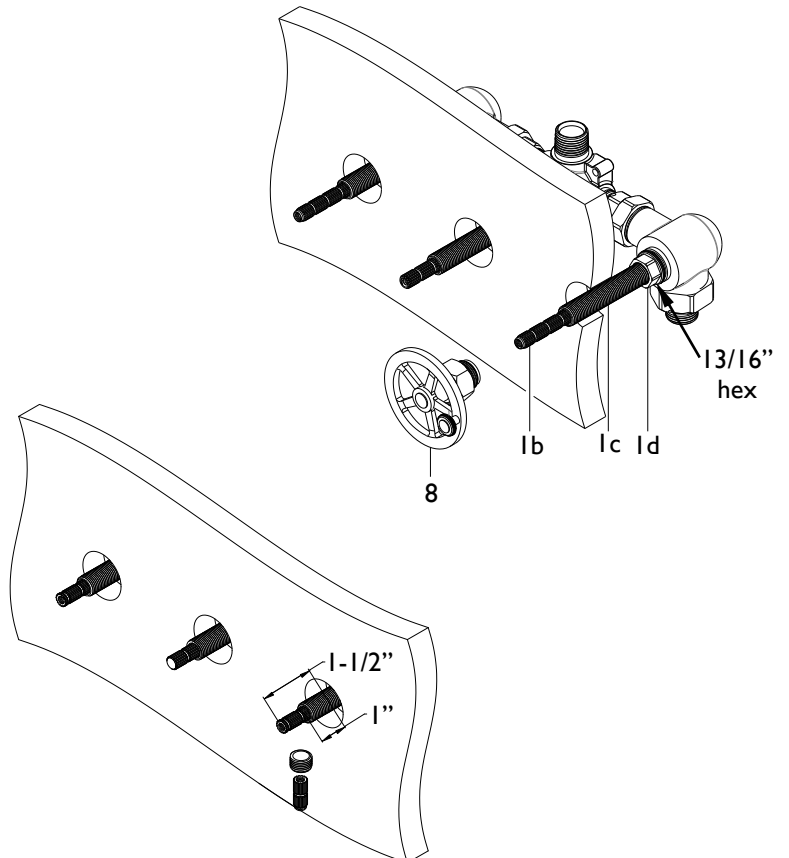
Triple Handle: 3-VR

ALIGN & TRIM VALVE STEM

- Remove mudguard from VALVE (1)
- To obtain proper HANDLE (8) alignment it may be necessary to re-align Hot & Cold cartridge STEM (1b); to align STEM (1b), slightly loosen the cartridge NUT (1d), place HANDLE (8) on STEM (1b) and **TIGHTEN** in CW direction until desired alignment is achieved; retighten cartridge NUT (1d) to factory torque setting of 14 ft-lbs.

WARNING: Cartridge NUT (1d) **MUST** be properly torqued to prevent possible failure and/or water damage

- Using a marking device (e.g. pencil or marker) indicate a distance of 1" from finished wall on ALL-THREAD (1c); unscrew ALL-THREAD (1c) from valve STEM (1b)
- Cut STEM (1b) 1-1/2" from finished wall surface
- Cut off excess ALL-THREAD (1c) at indicated mark and reattach ALL-THREAD (1c) onto valve STEM (1b)

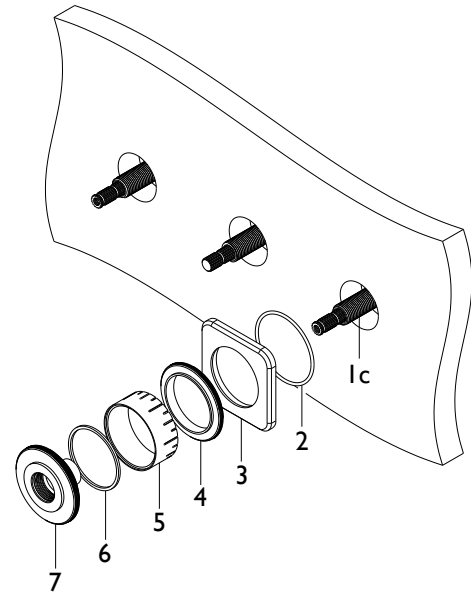


2 INSTALLING ESCUTCHEON

- Insert O-RING (2) into handle BASE (3), place COINED RING (4) on handle BASE (3), position handle RISER (5) on COINED RING (4), fit WASHER (6) to ESCUTCHEON TOP (7), and place ESCUTCHEON TOP (7) onto RISER (5)

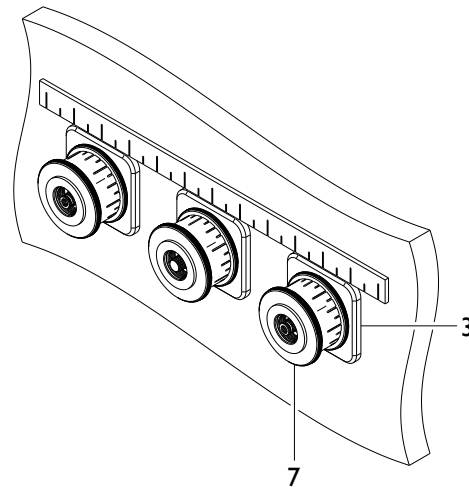
NOTE: Confirm orientation of RISER (5); hash marks against handle BASE (3) as shown

- Secure escutcheon onto wall by tightening ESCUTCHEON TOP (7) onto ALL-THREAD (1c)



3 ALIGNING ESCUTCHEON

- Repeat Sections 1 & 2 for other handles
- To align handle BASES (3), use a ruler or straight edge to align the spout and handle bases of the faucet as shown; after alignment retighten ESCUTCHEON TOP (7)



4 INSTALLING HANDLE

- Slide HANDLE (8) down onto and engage valve STEM (1b)
- Tighten handle NUT (8b)
- Turn on water supply and check for leaks

