

Add a special layer of high-performance, commercial quality to your home kitchen with a BlueStar Salamander Broiler. The four-position, adjustable grilling rack delivers perfect results, from “Pittsburgh-rare” steaks, to crispy chicken, to delicately broiled crab cakes, with cooking time virtually cut in half.



PRODUCT FEATURES

- Heavy-duty, commercial stainless steel construction
- Two independently controlled 11,000 BTU infrared ceramic burners
- 215 square inches of cooking space
- Large removable heavy-duty grilling rack
- Automatic electric ignition and re-ignition system
- Available in Natural or LP gas

SPECIFICATIONS

Product Dimensions: 25”W x 15”D x 14.625”H
 Top Burner Rating: 11,000 BTUs
 Electrical Requirements: 120V, 60Hz, 15 AMPS, 1 PH
 (Unit must be on a Non-GFI, dedicated outlet)
 Operating Gas Pressure: NAT: 5.0” WC, LP: 10” WC
 Gas Line Size: 1/2”
 Installation Clearance: See installation manual

MODEL CONFIGURATION

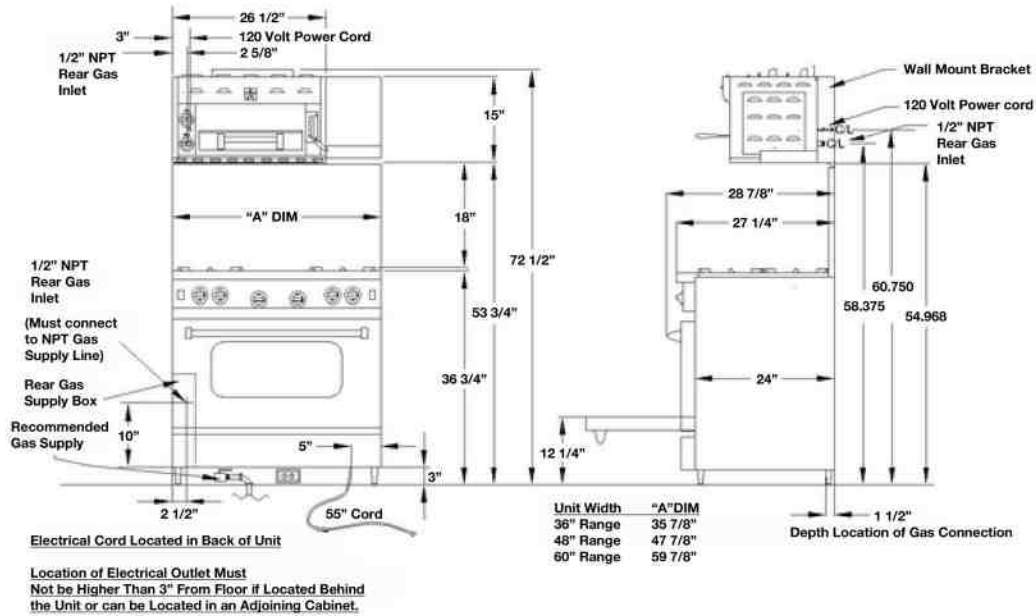
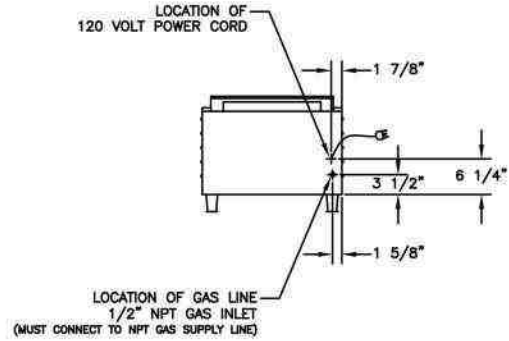
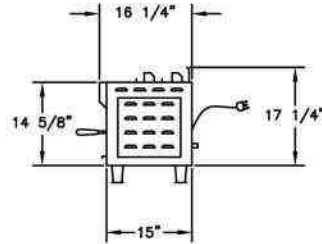
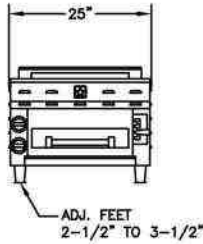
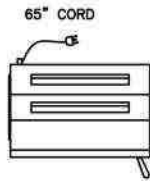
Salamander Broiler	PRZSAL24V2
Wall Mount Accessories:	
24” Wall Mount without shelf	PRZSALWM
36” Wall Mount with shelf	PRZSAL36WM
48” Wall Mount with shelf	PRZSAL48WM
60” Wall Mount with shelf	PRZSAL60WM

ADDITIONAL CUSTOMIZATION OPTIONS

- Knob colors
- Trim options

*All specifications subject to change without notice.
 Contact BlueStar Customer Service at (800) 449 - 8691
 prior to installation or site preparation.*

BLUESTAR SALAMANDER BROILER SERIES



Electrical Cord Located in Back of Unit

Location of Electrical Outlet Must Not be Higher Than 3" From Floor if Located Behind the Unit or can be Located in an Adjoining Cabinet.

SPECIFICATIONS:

- TWO INDEPENDENTLY CONTROLLED INFRARED BURNERS:
RATING FOR EACH BURNER _ _ _ _ 11,000 BTU
- ELECTRICAL REQUIREMENTS _ _ _ _ 120V, 60Hz, 15 AMPS, 1 PH
(UNIT MUST BE ON A NON-GFI, DEDICATED OUTLET)
- OPERATING GAS PRESSURE _ _ _ _ NAT: 5.0" WC
LP: 10.0" WC

INSTALLATION NOTES:

- THIS UNIT MUST BE INSTALLED WITH A HOOD.
- HOOD SIZE AND CFM WILL VARY DEPENDING ON SIZE OF RANGE.
- FOR A COUNTER TO MODEL A MINIMUM SHOULD BE A 36" 900 CFM IS RECOMMENDED.
- MINIMUM COUNTER TOP HEIGHT INSTALLATION IS 48".
- COUNTER TOP UNITS MUST BE INSTALLED WITH FACTORY SUPPLIED LEGS.
- INSTALLATION CLEARANCE:
 - 6" SIDE WALL OR TOP CABINETS
 - 0" REAR WALL (REAR WALL MUST BE NON-COMBUSTIBLE AND UNIT MUST BE INSTALLED USING OUR WALL MOUNT BRACKET)