

# BRIZO®

## STEAM CONTROL AND HEAD

### ■ Bilateral

#### STEAM CONTROL FEATURES:

- Programmable time and temperature
- Temperature range 60°F min to 125°F max
- Time programmable up to 60 minutes
- Digital display of ambient temperature, set temperature, and elapsed time
- 2 User presets
- Selectable RapidMist
- Patented Dual Sensor Technology: The control features dual temperature sensors that deliver extremely accurate temperature precision to smoothly regulate the steam shower environment

#### STEAM CONTROL STANDARD SPECIFICATIONS:

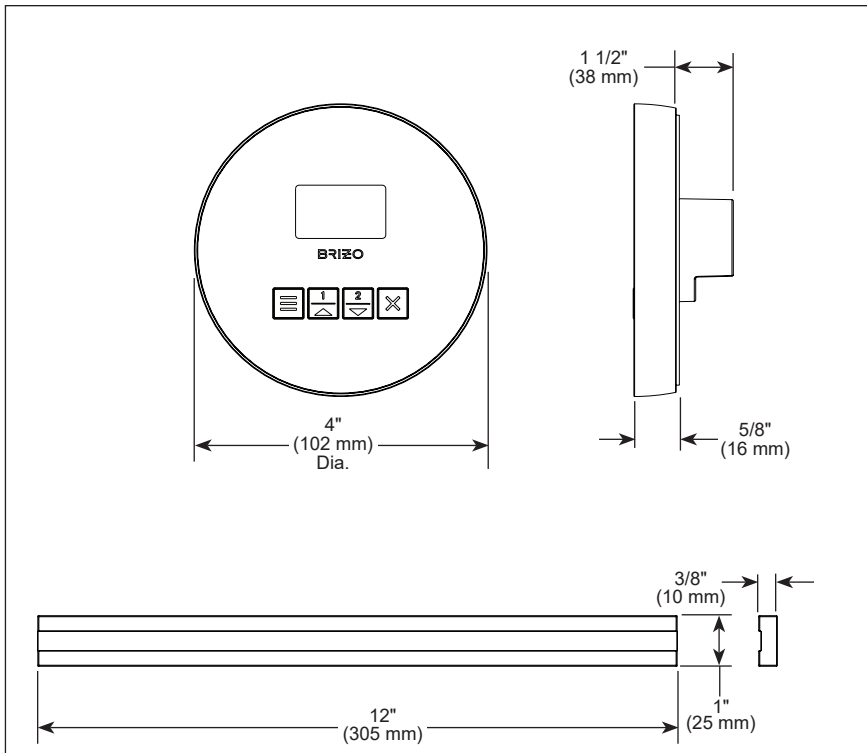
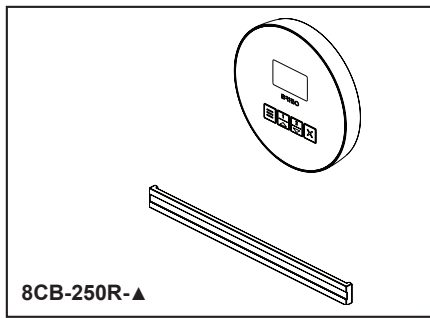
- Surface Mount - 1 1/2" hole required
- Must mount inside the steam room
- The multi-conductor cable should be run through 3/4" conduit to protect cable from damage and to facilitate easy replacement
- Mount control near seating area and not above Steam head
- Control should be mounted 48" above the floor
- Required Electrical Service: Low-voltage connection from 8GE-TSG steam generator via multi-conductor cable (supplied with steam generator)
- Model is not compatible with any of the 8SP-MU spa accessories

#### STEAMHEAD STANDARD SPECIFICATIONS:

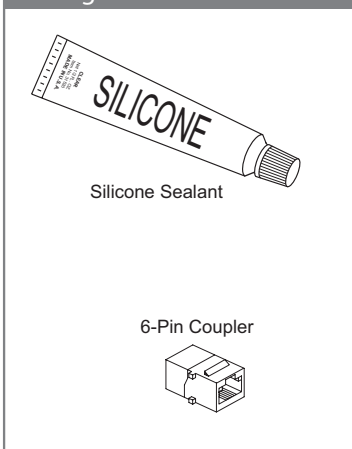
- Includes 3/4" NPT female thread for connection to steam line
- Steam head should be mounted 12" - 18" above the finished floor or 6" above the rim of the tub. The mounting location must also not be directly beneath the control and should be as far from the seating area as possible.

#### WARRANTY

- See separate warranty document



#### Package Contents



▲ Designate Proper Finish Suffix