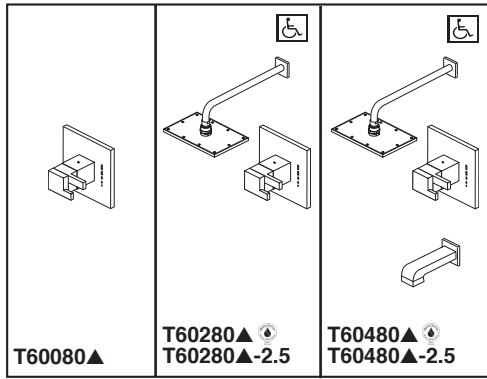


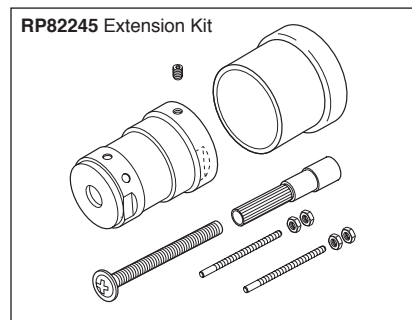
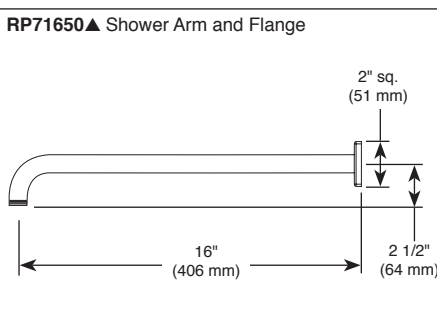
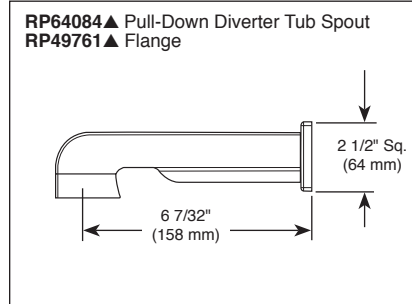
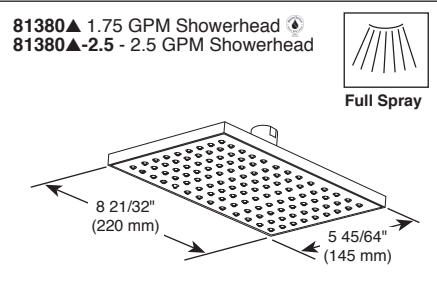
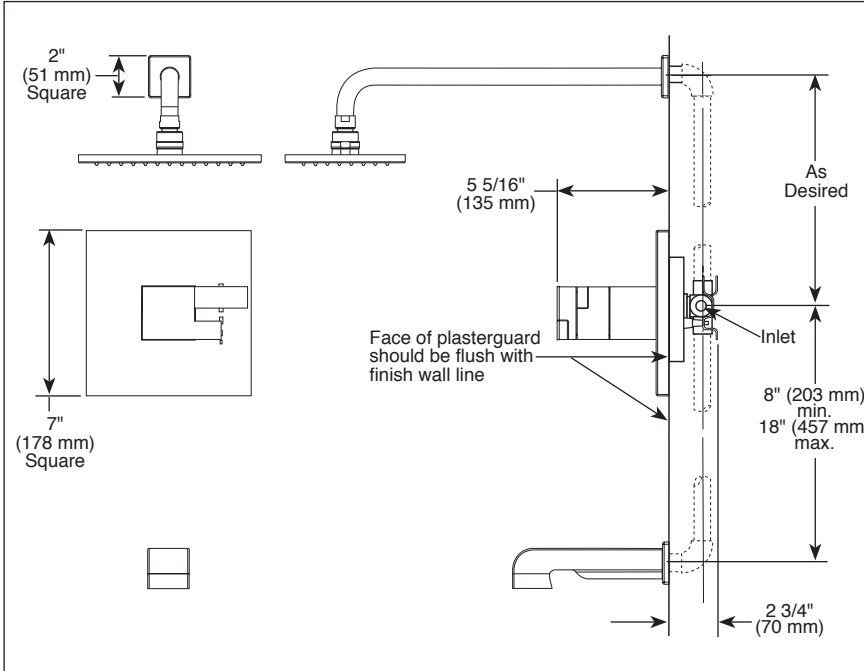
BRIZO®

TUB AND SHOWER FAUCET TRIM



Submitted Model No.: _____

Specific Features: _____



▲ Designate proper finish suffix

- Siderna® Bath Collection
- Valve Only (T60080)
- Shower Only (T60280)
- Tub/Shower (T60480)

FEATURES:

- TempAssure® thermostatic valve cartridge
- Escutcheon held in place by magnets. No exposed screws

STANDARD SPECIFICATIONS:

- Thermostatic wax element maintains the outlet temperature to $\pm 3.6^\circ\text{F}$
- Must also order MultiChoice® Universal rough valve body (R60000 Series)
- Back-to-back installation capability
- Lever volume control handle; temperature adjustment lever
- Graphics indicate hot/cold temperature adjustment
- Field adjustable to limit handle rotation into hot water zone
- All parts replaceable from the front of the valve
- Adjusts for up to 1" wall thickness, optional extension kit (RP82245) extends wall thickness up to an additional 1 3/4".
- Single function showerhead (81380-2.5) sold with T60280-2.5 and T60480-2.5 - 2.5 gpm @ 80 psi, 9.5 L/min @ 550 kPa
- Single function showerhead (81380) sold with T60280 and T60480 - 1.75 gpm @ 80 psi, 6.6 L/min @ 550 kPa
- Tub port maximum flow rate 8.6 gpm @ 60 psi with R60000-UNBX

WARRANTY

- Lifetime limited warranty on parts (other than electronic parts and batteries) and finishes; or, for commercial users, for 5 years from date of purchase.
- 5 year limited warranty on electronic parts (other than batteries); or, for commercial users, for 1 year from the date of purchase. No warranty is provided on batteries.

COMPLIES WITH:

- ASME A112.18.1 / CSA B125.1
- Indicates compliance to ICC/ANSI A117.1 - Valve control only
- EPA WaterSense®