

KwickShot[®] Tankless Electric Water Heaters

Single Point Flow Controlled, Non-Thermostatic Models (Single Phase Only)



Features:

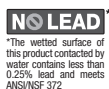
- **On Demand Hot Water**—No delay.
- **Continuous Hot Water**—No storage capacity to run out.
- **Self-diagnostics With Intelligent Controls**—Actively protect heater in installed environment.
- **LED Indicator**—Communicates system status and heater operation feedback.
- **Low Flow Activation**—Starting at .25 GPM (1 LPM) turn on (model dependent).
- **Dry-fire Protection**—Engages upon start-up to help prevent heating element dry-fire occurrence.
- **Flexible Installation**—Unit can be installed in any plumbing orientation.
- **Compact Size**—Fits almost anywhere; suitable for ADA compliant facilities.
- **Easy Installation**—Only one cold water line needed for installation.
- **No T&P Relief Valve Needed**—Ready to go, right out-of-the-box (check local codes).
- **Integral 3/8" (10mm) Compression Fittings**—No sweat connections or soldering required.
- **Control System**—Activates heater only on demand.
- **Bare Wire Technology**—Responsive non-thermostatic tankless technology.
- **Automatic Reset High Temperature Limit**—Enables safe operation.
 - Automatic reset (USA only).
 - Manual reset (Canada only).
- **Warranty**—5-year limited warranty on leaks, 1-year on parts.

Applications:

- **Point-of-use & fixed-flow fixture**
- **Kitchen, wet bar, utility sink, and handwashing**
- **One (1) lavatory faucet, sensor faucet or metering faucet**

Suggested Specification:

Tankless water heater shall be an Bradford White model number TEF_____. Unit shall have ABS UL 94 5VA rated cover. Unit shall allow mounting in any orientation. Element shall be replaceable cartridge insert. Element shall be iron-free, nickel-chrome material. Unit shall have replaceable filter in the inlet connector. Unit shall include an integrated flow meter to ensure accurate turn-on / turn-off flow rate. Heater shall be fitted with 3/8" compression fittings to eliminate the need for soldering. Maximum operating pressure of 150 PSI. Diagnostic features to include LED error/fault indicator. Heater shall employ technology that engages upon start-up to avoid dry-fire occurrence. Hot water storage tanks prohibited. Unit shall be Bradford White or approved equal. NOTE: Refer to rating chart for product information.



For more information on warranty, please visit www.bradfordwhite.com

For products installed in USA, Canada and Puerto Rico. Some states do not allow limitations on warranties. See complete copy of the warranty included with the heater.



Single Point Flow Controlled, Non-Thermostatic Models (Single Phase Only)

Model Number	kW Rating	Voltage (Volts)	AMPS	TURN ON (GPM)	TURN ON (LPM)	Temperature Rise °F						Temperature Rise °C						Recommended Wire Size (75° C/CU)
						0.35 GPM	0.5 GPM	0.75 GPM	1.0 GPM	1.5 GPM	2.0 GPM	1.3 LPM	1.9 LPM	2.8 LPM	3.8 LPM	5.7 LPM	7.6 LPM	
TEF024V120	2.4	120	20	0.25	0.95	55	33	22	16	11	8	31	18	12	9	6	4	14 AWG
TEF030V120	3.0	120	25	0.25	0.95	68	41	27	20	14	10	38	23	15	11	8	6	12 AWG
TEF030V208	3.0	208	15	0.25	0.95	68	41	27	20	14	10	38	23	15	11	8	6	14 AWG
TEF030V277	3.0	277	11	0.25	0.95	68	41	27	20	14	10	38	23	15	11	8	6	14 AWG
TEF035V120	3.5	120	29	0.30	1.14	80	48	32	24	16	12	44	27	18	13	9	7	10 AWG
TEF035V240	3.5	240	15	0.30	1.14	80	48	32	24	16	12	44	27	18	13	9	7	14 AWG
TEF035V240*	2.6	208	13	0.30	1.14	59	36	24	18	12	9	33	20	13	10	7	5	14 AWG
TEF041V208	4.1	208	20	0.40	1.52	—	56	37	28	19	14	—	31	21	16	11	8	14 AWG
TEF041V277	4.1	277	15	0.40	1.52	—	56	37	28	19	14	—	31	21	16	11	8	14 AWG
TEF048V240	4.8	240	20	0.40	1.52	—	66	44	33	22	16	—	37	24	18	12	9	14 AWG
TEF048V240*	3.6	208	17	0.40	1.52	—	49	33	25	16	12	—	27	18	14	9	7	14 AWG
TEF055V240	5.5	240	23	0.50	1.90	—	75	50	38	25	19	—	42	28	21	14	11	12 AWG
TEF055V240*	4.1	208	20	0.50	1.90	—	56	37	28	19	14	—	31	21	16	11	8	12 AWG
TEF060V277	6.0	277	22	0.70	2.65	—	—	55	41	27	20	—	—	31	23	15	11	12 AWG
TEF065V240	6.5	240	27	0.70	2.65	—	—	59	44	30	22	—	—	33	24	17	12	10 AWG
TEF065V240*	4.8	208	23	0.70	2.65	—	—	44	33	22	16	—	—	24	18	12	9	10 AWG
TEF075V240	7.5	240	32	0.70	2.65	—	—	68	51	34	26	—	—	38	28	19	14	10 AWG
TEF075V240*	5.6	208	27	0.70	2.65	—	—	51	38	25	19	—	—	28	21	14	11	10 AWG
TEF080V277	8.0	277	29	0.70	2.65	—	—	73	55	36	27	—	—	41	31	20	15	10 AWG
TEF083V208	8.3	208	40	0.70	2.65	—	—	76	57	38	28	—	—	42	32	21	16	8 AWG
TEF090V277	9.0	277	33	0.70	2.65	—	—	82	61	41	31	—	—	46	34	23	17	10 AWG
TEF095V240	9.5	240	40	0.80	3.03	—	—	—	65	43	32	—	—	—	36	24	18	8 AWG
TEF095V240*	7.1	208	34	0.80	3.03	—	—	—	38	25	19	—	—	—	21	14	11	8 AWG
TEF100V277	10.0	277	36	0.80	3.03	—	—	—	68	46	34	—	—	—	38	26	19	8 AWG

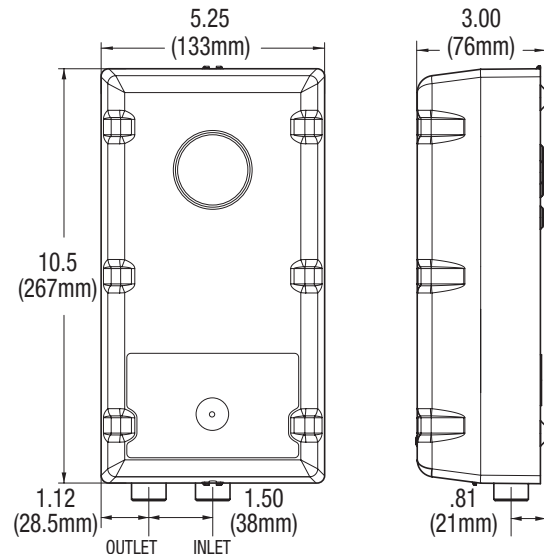
* 240V units can be used on 208V single phase with 25% reduced temperature output. Please note per UL standards the rating plate and installation instructions will all be according to a 240V applied voltage. Check with local officials prior to derating the electrical infrastructure.

System Specifications

Dimensions:	10.5" H x 5.25" W x 3" D	266mm H x 133.4mm W x 76mm D
Product Weight:	(model dependent) 2.75 lb/3 lb	(model dependent) 1.25kg/1.36kg
Cover:	ABS-UL 94 5VA	
Color:	White	
Minimum Operating Pressure:	30 PSI	207 kPa
Maximum Operating Pressure:	150 PSI	1034 kPa
Element:	Replaceable nichrome cartridge insert	
Fittings:	3/8" compression fittings	10mm compression fittings

U.S. Patent Pending Technology.

Note: For optimum performance, mounting location should be located within 2 feet (.61m) of fixture.



Dimensions and specifications subject to change without notice in accordance with our policy of continuous product improvement.

— BRADFORD WHITE IS —



Sales: 800-523-2931 ■ Fax 215-641-1612

24/7 Technical Support: 800-334-3393 ■ Email techserv@bradfordwhite.com

Products made by Bradford White are manufactured in the United States using the finest raw materials and components from around the world.

Built to be the Best®