

**PATRICK
67" ACRYLIC
OVAL TUB**

Cat. No.
ATOVN67EIG-XX



L: 67"
W: 31-1/2"
H: 23-3/4"

Water depth: 18-1/2" to top of tub
Water depth: 15-1/2" to overflow
Overflow hole diameter: 3-3/4"
Center drain to back of rim: 16"

The following is recommended for ATOVN67E tubs without faucet holes:

- Freestanding Filler: part #7932, 7952, or 7918 (Does not need bath supplies)



For easier installation we recommend use of 5598-ITD Easy Install Rough In Kit

Gallon Capacity: 71
Shipping Weight: 142 lbs.
Empty Weight: 82 lbs.
Filled Weight: 675 lbs.

Features:

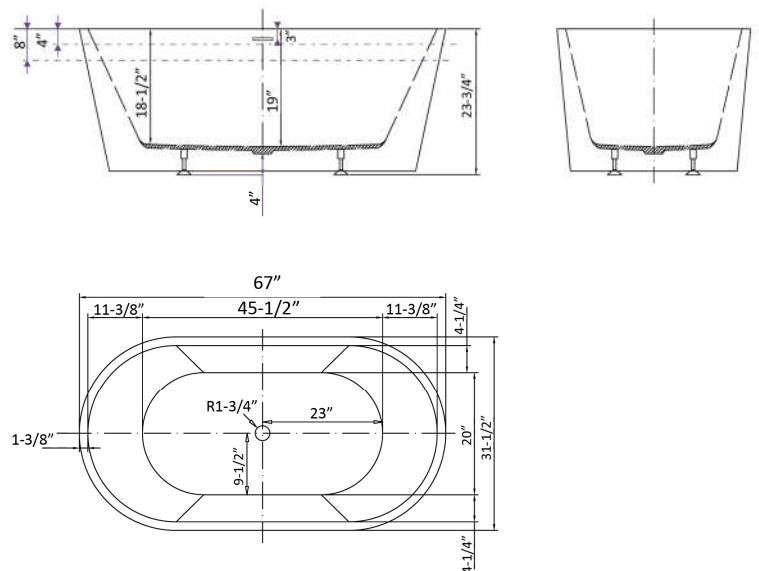
- ▶ Acrylic construction for lighter weight
- ▶ Interior and exterior walls acrylic sheets
- ▶ Overflow slot with integrated drain
- ▶ Drain included
- ▶ Drain and overflow covers included(available in 6 finishes)
- ▶ Rim is 1-3/8" wide
- ▶ No faucet holes
- ▶ Includes built-in adjusters
- ▶ Tub is thoroughly inspected before shipment
- ▶ Option to add foam insulation between tub walls available



Finishes:

- BN** Brushed Nickel
- CP** Polished Chrome
- ORB** Oil Rubbed Bronze
- PB** Polished Brass
- PN** Polished Nickel
- WT** White

Custom Colors Available (inside of tub is always white enamel):
Painted bathtubs are considered "special order" and are not returnable
\$160 Bisque or Black \$250 Designer Color



Dimensions of fixture are nominal and specifications subject to change without notice.