

ELENA 500 WALL HUNG BASIN

Cat. No
4-92X



Faucet not included

W: 19-³/₄"
D: 18-¹/₈"
H: 7"

Features:

- ▶ Wall hung basin
- ▶ Made of Vitreous China
- ▶ Pre-drilled overflow hole
- ▶ Available with 1-hole (4-921WH), 4" centerset (4-924WH) and 8" widespread (4-928WH)
- ▶ Mounting hardware included

Colors:

WH White

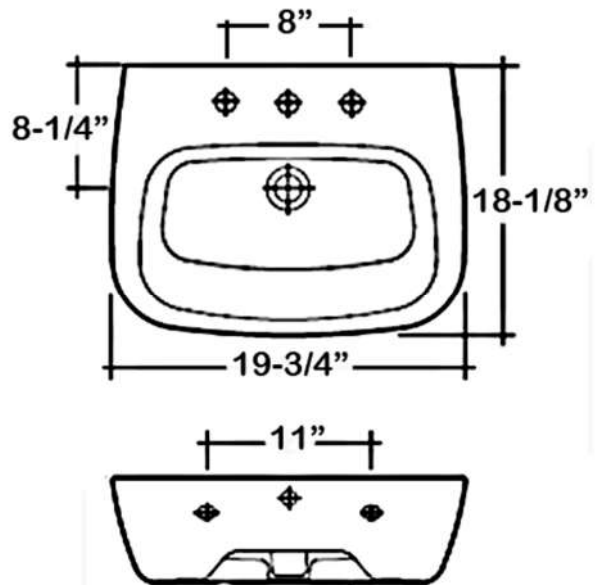


Mounting hardware

Meets or exceeds the following specifications: ASME A112.19.2 2018 and CSA B45.1-18 for ceramic plumbing fixtures.

Interior Dimensions:

Basin Interior: 15 -¹/₂" x 12"
Basin Depth: 5 -¹/₂"
Water depth to overflow: 3"
Spout hole: 1 -³/₈"
Back of basin to center of faucet: 2 -¹/₄"
Back of basin to center of drain: 8 -¹/₂"
Mount holes cc: 11"



Dimensions of fixture are nominal and may vary within the range of tolerances established by ASME Standard A112.19.2.2018. Dimensions and specifications subject to change without notice.