

INSTALLATION INSTRUCTIONS

American Standard

ACRYLIC SHROUD FOR AMERICAN STANDARD SELECTRONIC® FAUCETS

USED ON SINK MODEL'S:
Lucia® 0145. series
Murro® 0954 0955 & 0958. series



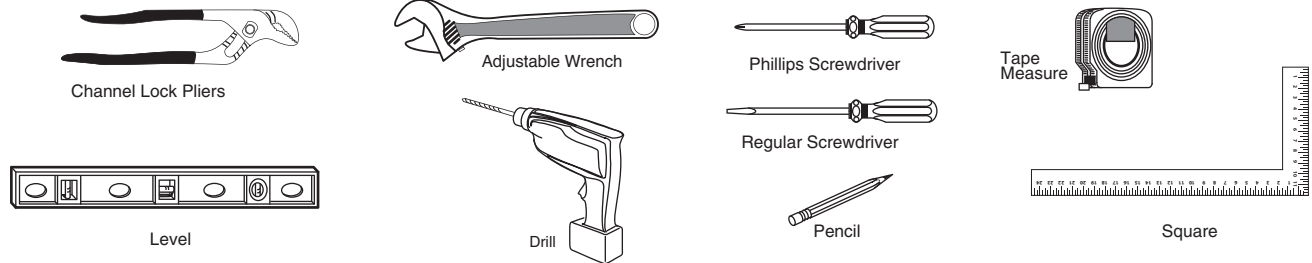
Shown with Murro 0955.001EC lavatory (sold separately)

Introduction: Thank you for selecting our products...products which have been the benchmarks of fine quality for years. To help insure that the installation process will proceed smoothly, please read these instructions carefully before you begin. Also, review the recommended tools and materials list; carefully unpack and examine your new plumbing fixture.

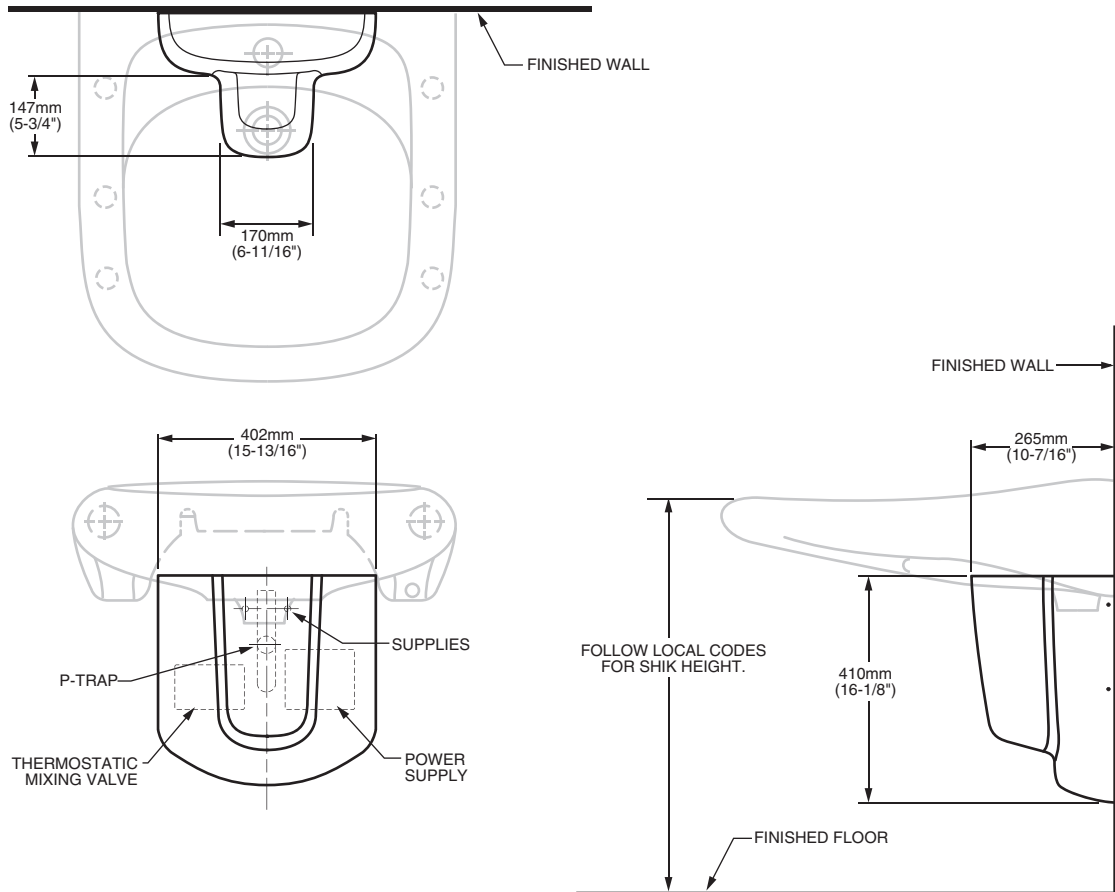
⚠ CAUTION: PRODUCT IS FRAGILE. TO AVOID DAMAGE AND POSSIBLE INJURY HANDLE WITH CARE!

NOTE: Pictures may not exactly define contour of china and components.

Recommended Tools



Rough-In Dimensions



SAVE FOR FUTURE USE

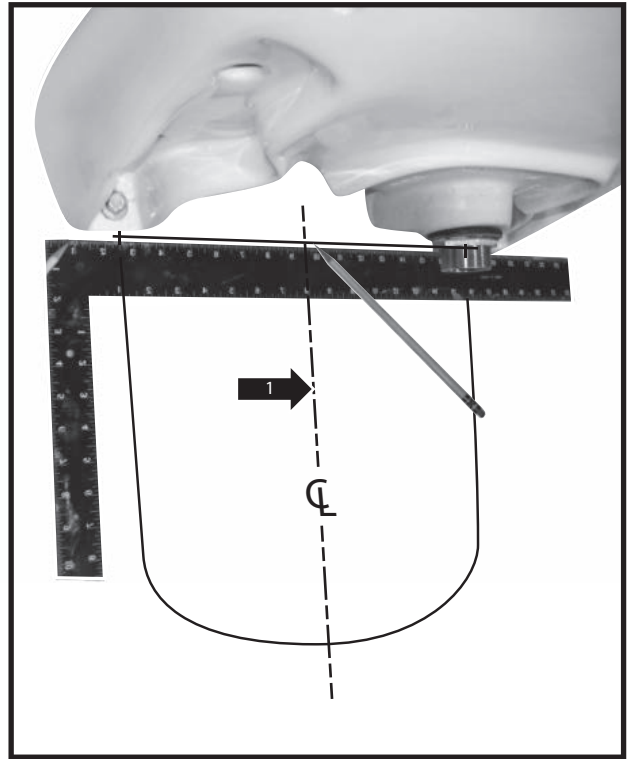
1 ALIGN AND CENTER THE SHROUD

1. Align and center the APRON to the bottom of the sink and mark the top edges (right & left).



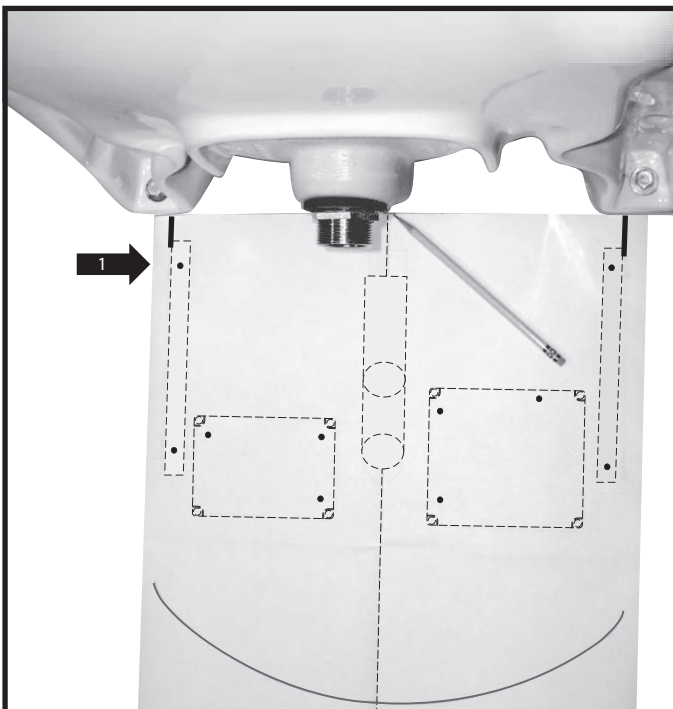
2 LOCATE CENTER OF FIXTURE

1. Draw a line and locate the center between the two marks.



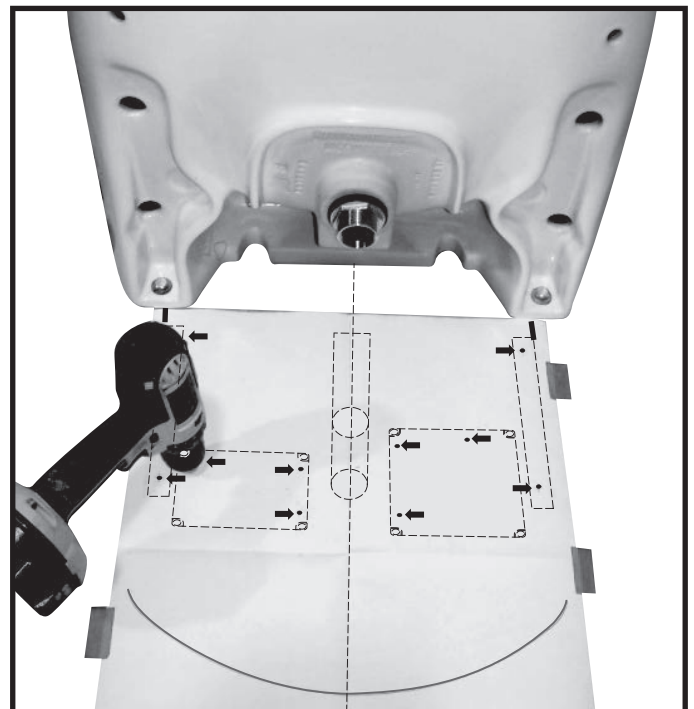
3 ALIGN THE TEMPLATE

1. Align the Template to the top edge and center line of these marks. A section may be cut out of the Template to clear the Supply Valves and P-Trap.



4 TAPE THE TEMPLATE TO THE WALL

1. Use a small drill to drill all pilot holes on the template for the Brackets, Power Supply and Mixing Valve.



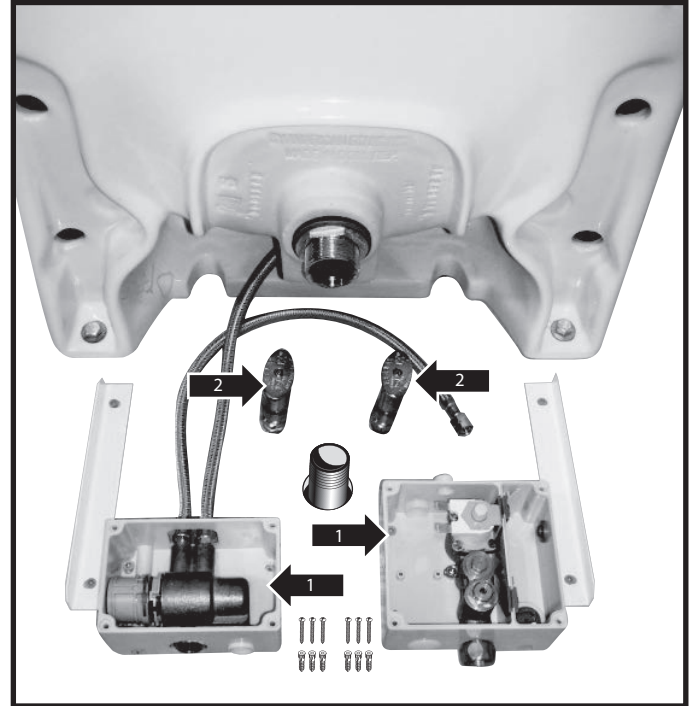
5 MOUNT BRACKETS

1. Depending on the wall material, install the Brackets with appropriate Wall Anchors for the suggested #10 Screws (not provided) to install Brackets.



6 INSTALL MIXING VALVES

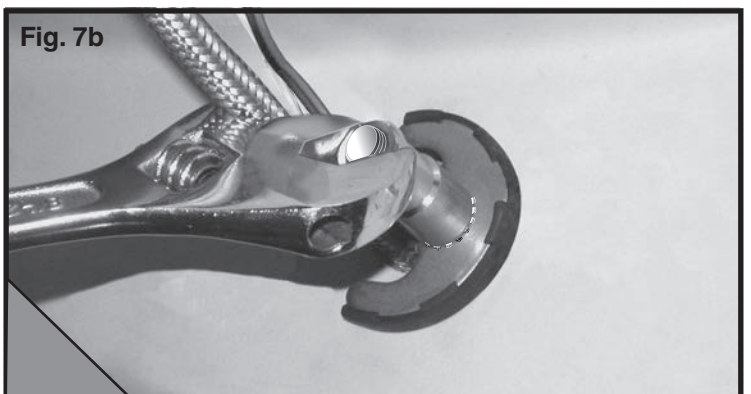
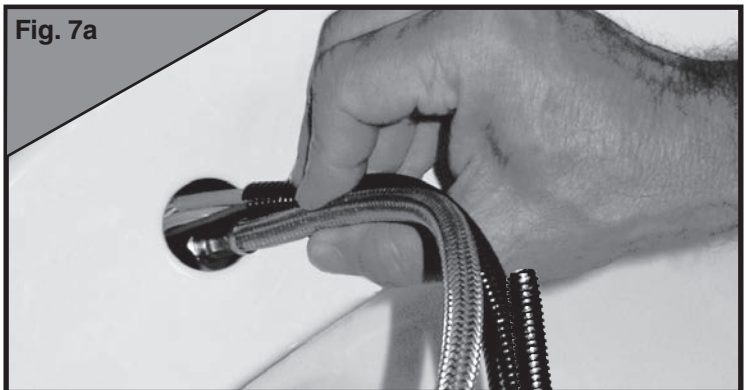
1. Install Mixing Valves with appropriate Wall Anchors for a suggested #8 Screw.
2. Install Hot and Cold Shut-off Valves.



7 INSTALL FAUCET

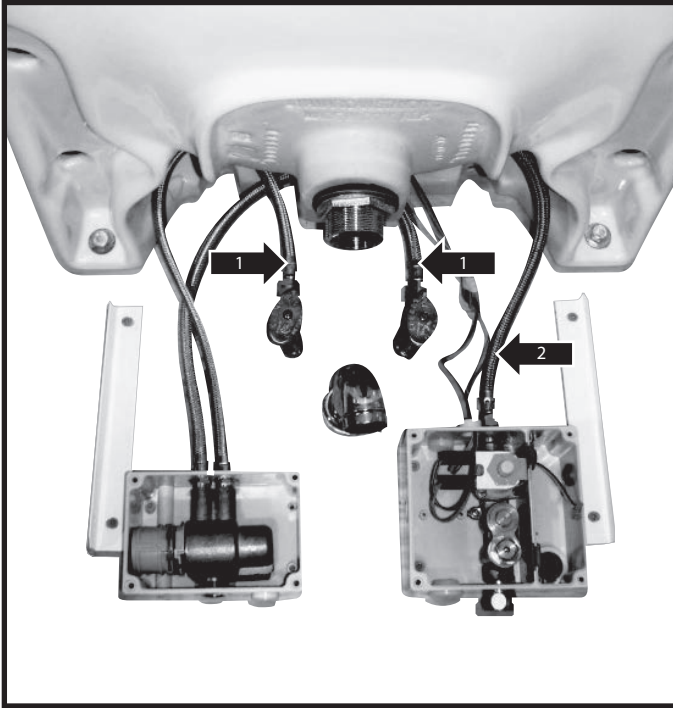
FOLLOW ALL INSTALLATION INSTRUCTIONS PROVIDED WITH FAUCET KIT

1. Insert WIRES, FLEX HOSE and SPOUT SHANK through center hole of mounting surface. **Fig. 7a.**
2. Assemble "C" WASHER, STAR WASHER and LOCKNUT onto threads of SPOUT SHANK from underside of mounting surface. **Fig. 7b.**
3. Align FAUCET and tighten LOCKNUT. **Fig. 7b.**



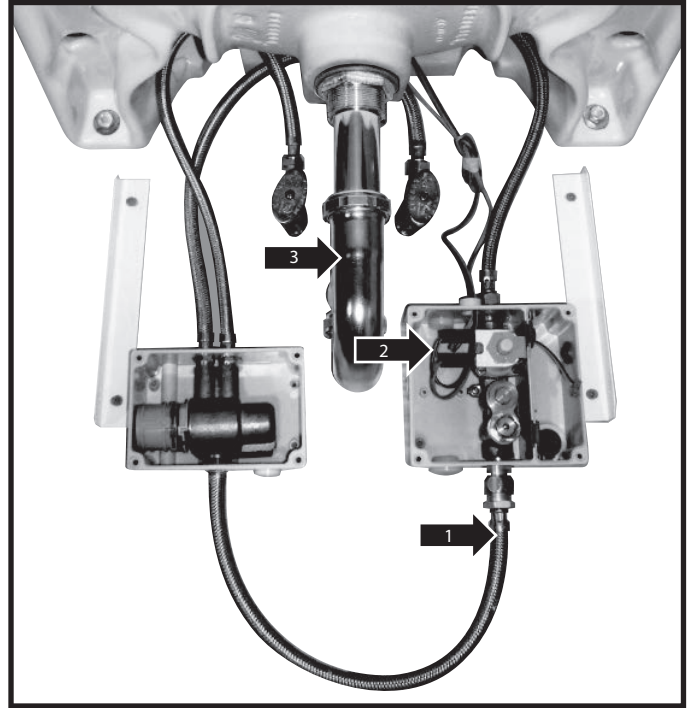
8 ATTACH HOSES

1. Attach the Mixing Valve Hoses to the Hot and Cold Shut-Off Valves.
2. Attach the Faucet Hose to the Power Supply Valve



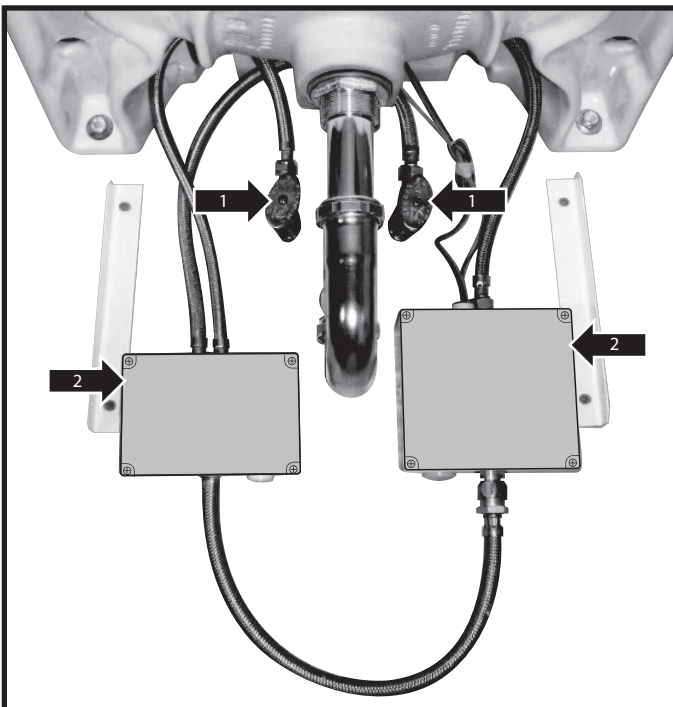
9 ATTACH MIXING HOSE

1. Attach the Mixing Hose to the Power Supply Valve.
2. Follow the wiring instructions provided with the Faucet Kit and make connections.
3. Connect the P-Trap to the Faucet Tailpiece.



10 TEST INSTALLED FAUCET

1. Turn on Supply Valves and check for leaks.
2. Check operation of the Faucet and install the Box Covers.



11 INSTALL SHROUD

1. Position Shroud over the Brackets, align the holes, and install Screws and Decorative Covers, (4) places.

