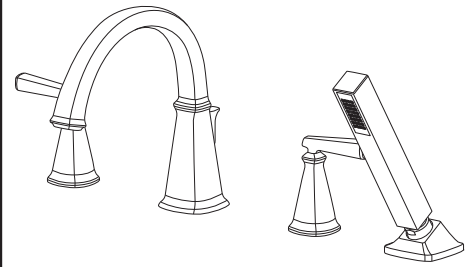


**INSTALLATION
INSTRUCTIONS**

**Edgemere®
Roman Tub Filler**

**T018900
T018901**



Certified to comply with ANSI A112.18.1M

Thank you for selecting American Standard...
the benchmark of fine quality for over 140 years.

To ensure that your installation proceeds smoothly-please read
these instructions carefully before you begin.

RECOMMENDED TOOLS



Phillips Screwdriver



Channel Locks



Adjustable Wrench

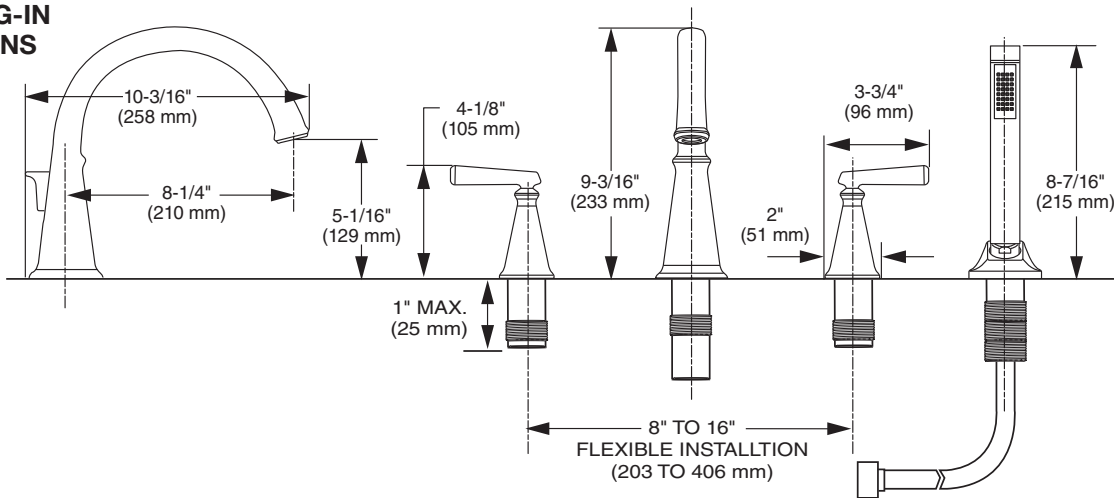


Flat Blade Screwdriver



Hex Wrench
(supplied)

**ROUGHING-IN
DIMENSIONS**



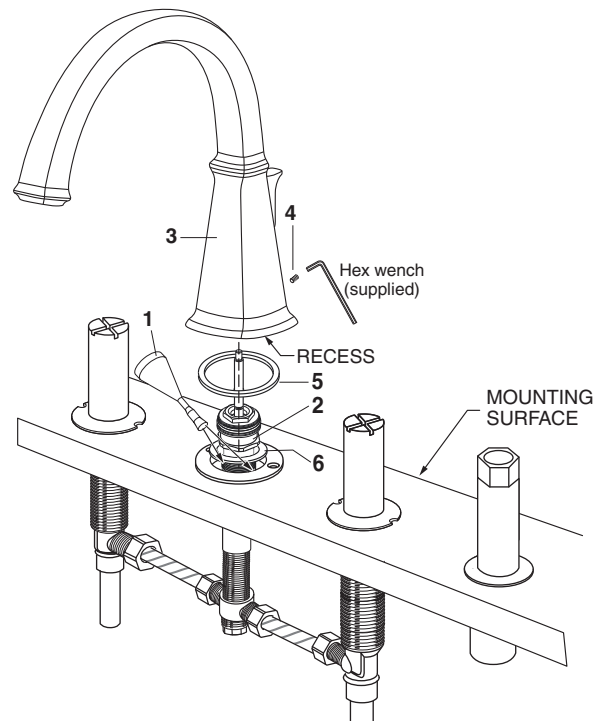
1 INSTALL SPOUT

CAUTION Turn off hot and cold water
supplies before beginning.

- Apply 4-5 drops of **THREADLOCKER (1)**
on **DIVERTER INSERT (2)** threads (supplied).

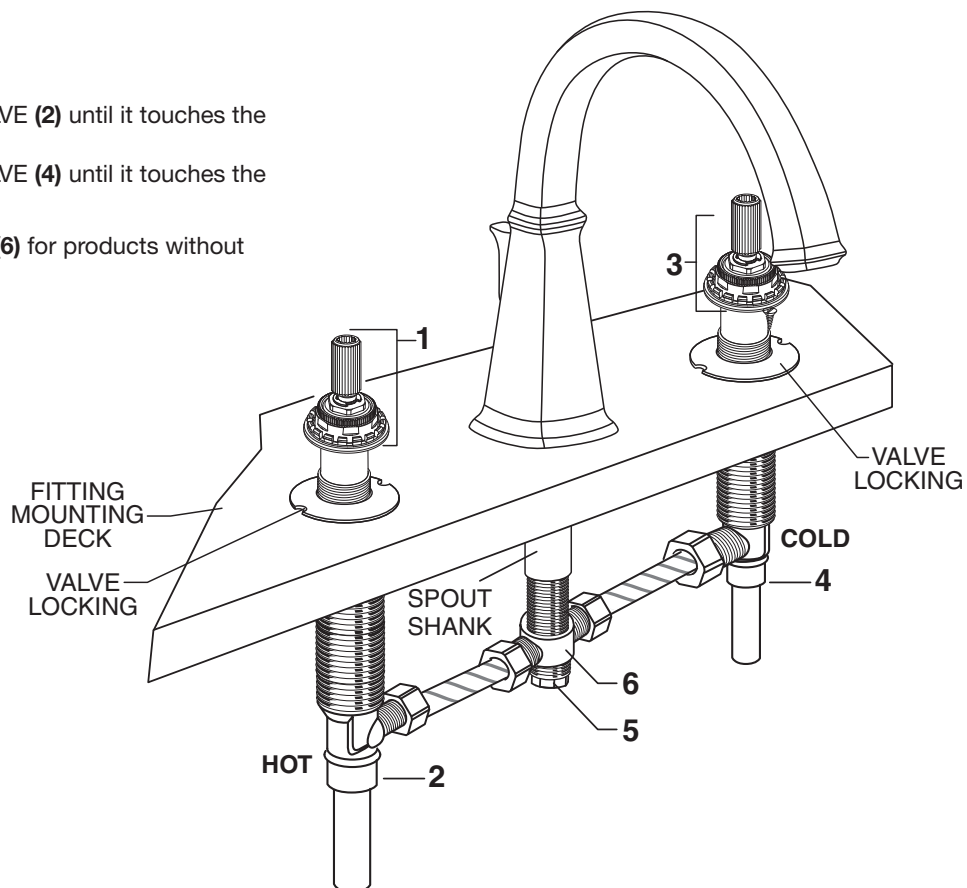
NOTE: If installing on finished deck, install **DIVERTER
INSERT (2)** through **WASHER (6)**.

- Thread **DIVERTER INSERT (2)** carefully until it touches the
installation surface, be sure the **RUBBER RING (5)**
is properly seated in it's **RECESS** at the base of the
SPOUT (3).
- Thread **SET SCREW (4)** using 5 mm hex wrench supplied.
Make certain **SET SCREW (4)** is properly aligned and tight
so that **SPOUT (3)** is locked in place.



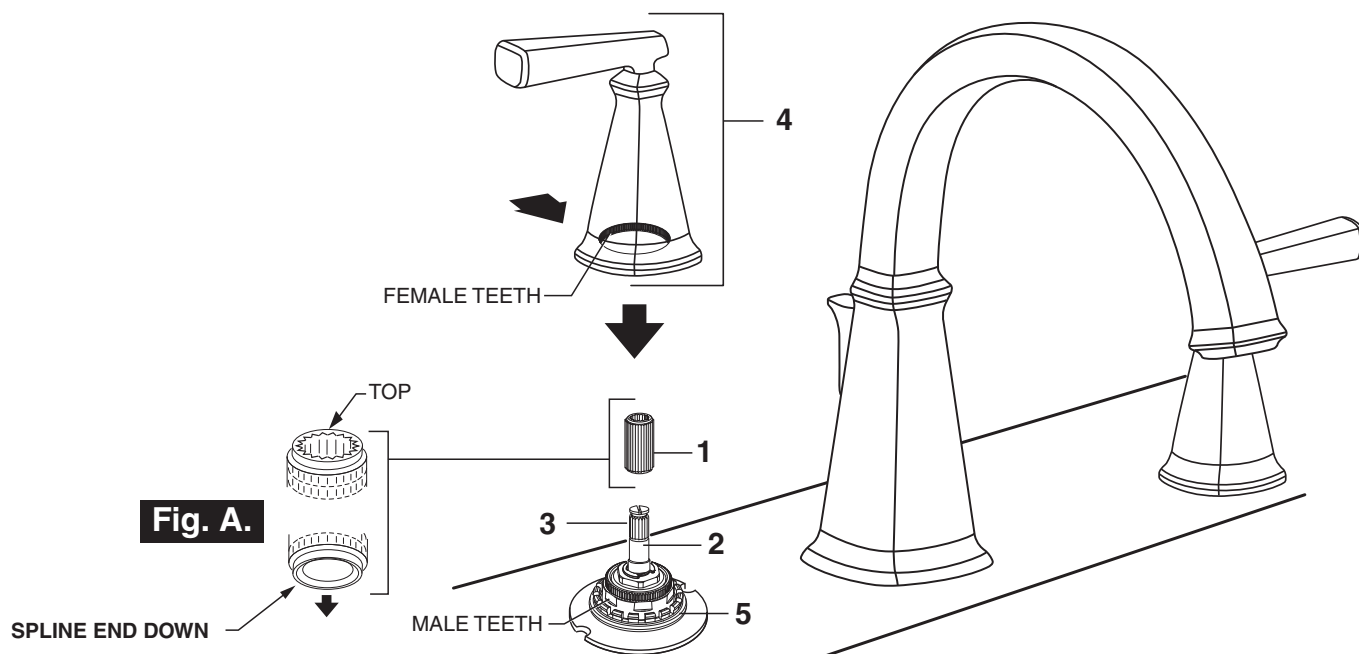
2 VALVE ASSEMBLY

- Remove PLASTER GUARDS.
- Thread INSERT (1) into SIDE VALVE (2) until it touches the installation surface.
- Thread INSERT (3) into SIDE VALVE (4) until it touches the installation surface.
- Tighten COUPLING (5) into TEE (6) for products without hand shower.



3 INSTALL HANDLES

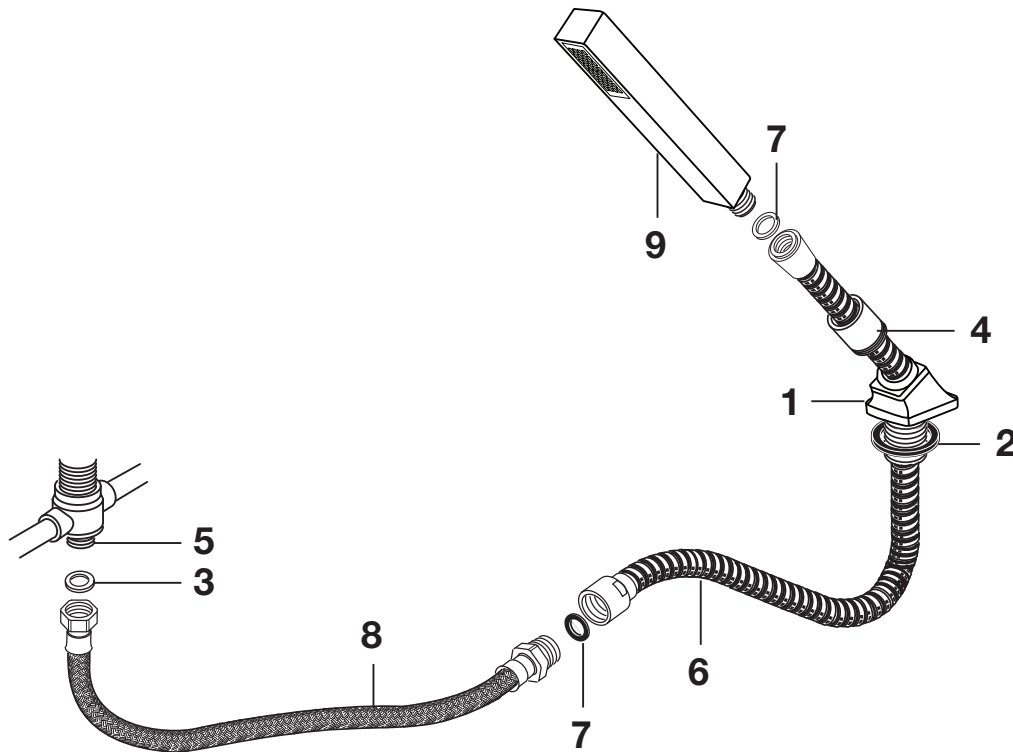
- Turn VALVE to OFF position.
- Push ADAPTER (1) on VALVE STEM (2), so that the hole of the ADAPTER (1) without a spline is facing up. **Fig. A.** Tighten STEM SCREW (3) to secure ADAPTER (1).
- Align DECK ADAPTER (5) to LEVER HANDLE ASSEMBLY (4). Thread LEVER HANDLE ASSEMBLY (4) onto DECK ADAPTER (5) firmly to flush against mounting surface.



4 HANDSHOWER INSTALLATION (FOR MODEL T018901 ONLY)

- Drop SPRAY ESCUTCHEON (1) through the fourth hole of the tub ledge (12" max from SPOUT center) with SPRAY ESCUTCHEON (1) directed towards tub center. Be sure RUBBER RING (2) is properly seated in ESCUTCHEON (1).
- Add SEAL WASHER (3) and connect HOSE (8) to outlet nipple at the bottom of TEE (5). Tighten firmly.
- Slip SHOWER HOSE (6) with COUPLING NUT through SPRAY HOLDER (4) and ESCUTCHEON (1). (Note: SPRAY HOLDER (4) must be separate from ESCUTCHEON (1) to get HOSE (6) through ESCUTCHEON (1). Install SEAL (7) before connecting both HOSES (6) and (8). INSTALL second SEAL (9) and connect HAND SHOWER (9) to SPRAY HOSE (6).

NOTE: When not in use, HAND SHOWER should be seated in the HOLDER.



5 CARE INSTRUCTIONS:

DO: SIMPLY RINSE THE PRODUCT CLEAN WITH CLEAR WATER. DRY WITH A SOFT COTTON FLANNEL CLOTH.

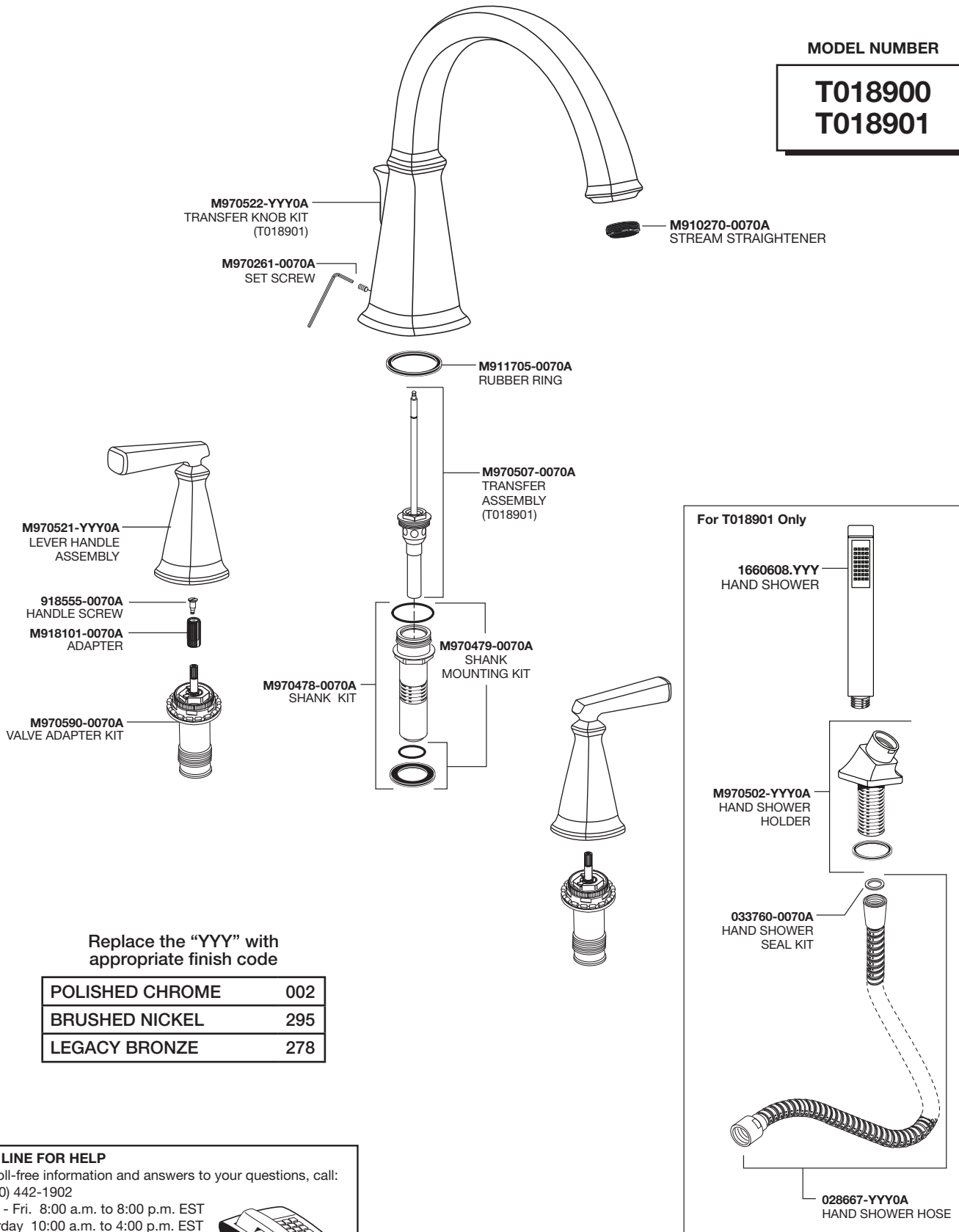
DO NOT: DO NOT CLEAN THE PRODUCT WITH SOAPS, ACID, POLISH, ABRASIVES, HARSH CLEANERS, OR A CLOTH WITH A COARSE SURFACE.

American Standard

Edgemere® Roman Tub Filler

MODEL NUMBER

T018900
T018901



Replace the "YYY" with appropriate finish code

POLISHED CHROME	002
BRUSHED NICKEL	295
LEGACY BRONZE	278

HOT LINE FOR HELP

For toll-free information and answers to your questions, call:
 1 (800) 442-1902
 Mon. - Fri. 8:00 a.m. to 8:00 p.m. EST
 Saturday 10:00 a.m. to 4:00 p.m. EST
 IN CANADA 1-800-387-0369
 (TORONTO 1-905-306-1093)
 Weekdays 8:00 a.m. to 7:00 p.m. EST
 IN MEXICO 01-800-839-1200



PART OF LIXIL