

American Standard

Installation Instructions

LUXURY SHOWER EXTENDER BODY SPRAYS

1660.130
1660.140



1660.130



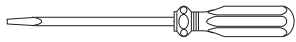
1660.140

Thank you for selecting American-Standard...the benchmark of fine quality for over 100 years.

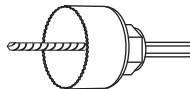
To ensure that your installation proceeds smoothly-- please read these instructions carefully before you begin.

Certified to comply with ANSI A112.18.1
M968617 Rev.1.4 (10/17)

Recommended Tools



Flat Blade Screwdriver



2-1/4" DIA.
(57mm) Hole Saw

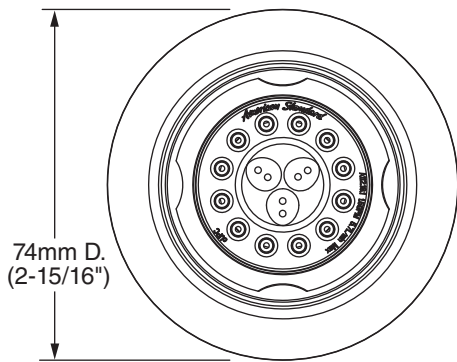


Teflon Tape

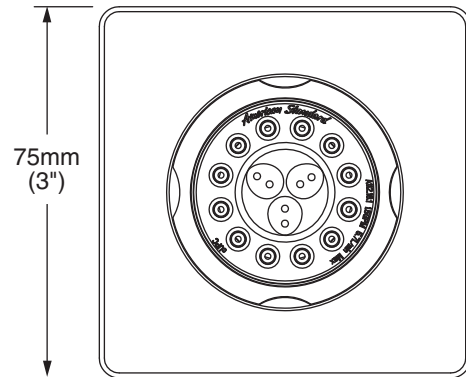


Electric Drill

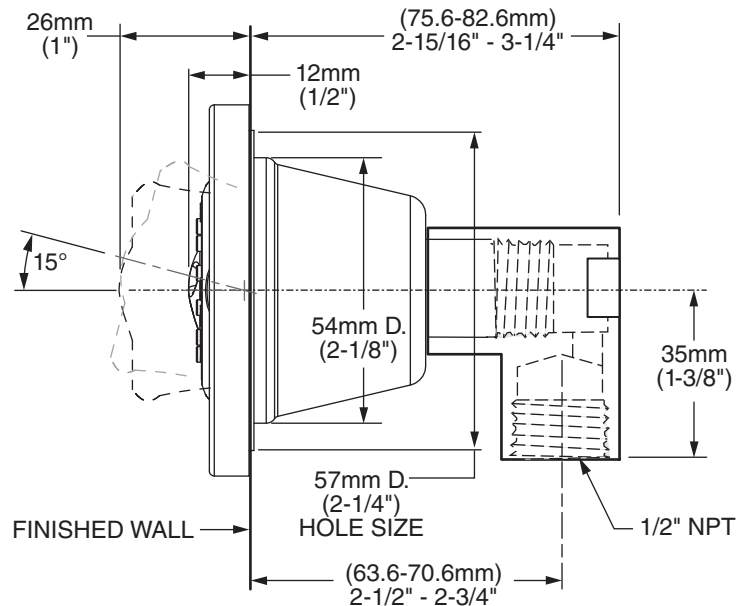
ROUGHING-IN DIMENSIONS ALL CONNECTIONS 1/2" NPT



**1660.130 Multifunction
Round Body Spray**



**1660.140 Multifunction
Square Body Spray**



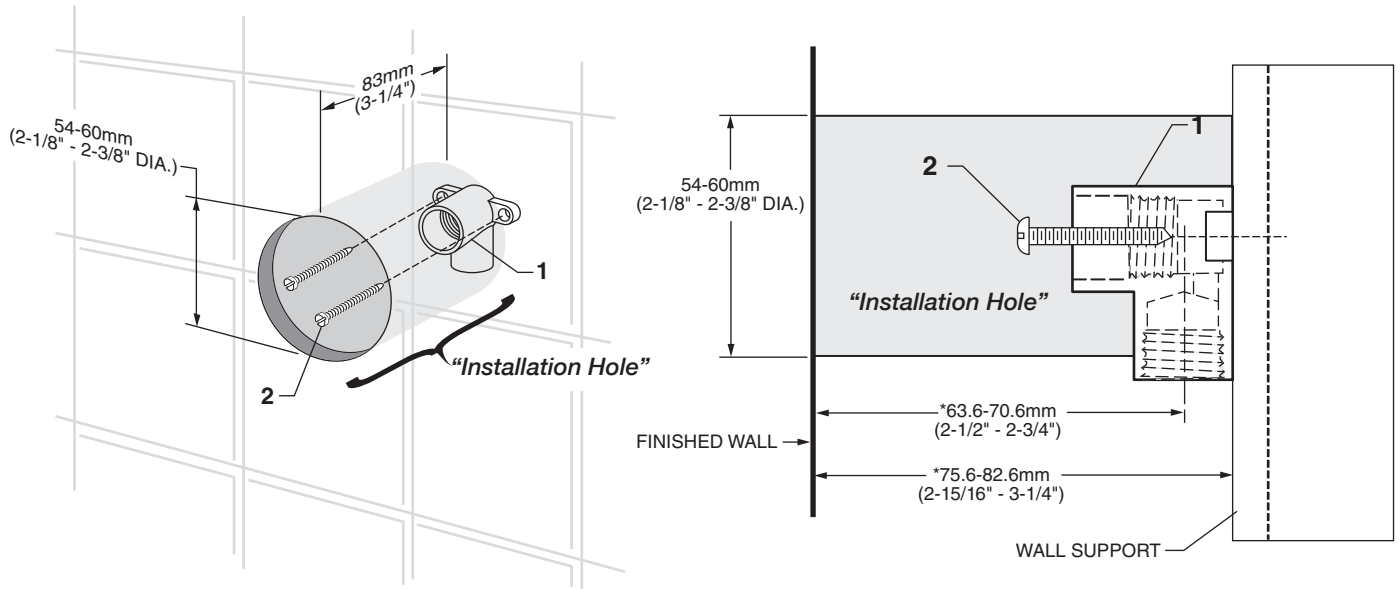
1

INSTALL SUPPLY PIPING

CAUTION

Turn off hot and cold water supplies before beginning.

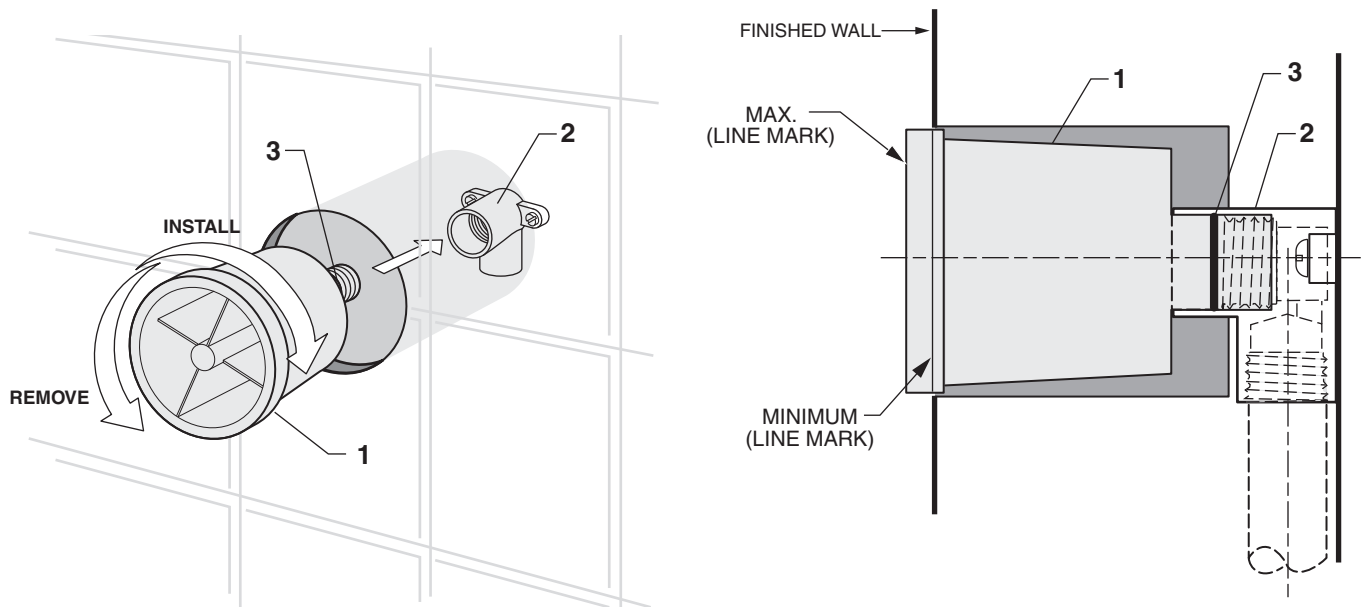
- Provide a "Installation Hole" 2-1/8" - 2-3/8" DIA., (54-60mm) and 3-1/4", (83mm) deep. **Note:** The "Installation Hole" must be clear to allow body spray clearance.
- Install the ELBOW (1) on a support within the wall at the *dimension shown. Secure with two M5 SCREWS (2) (not provided).



2

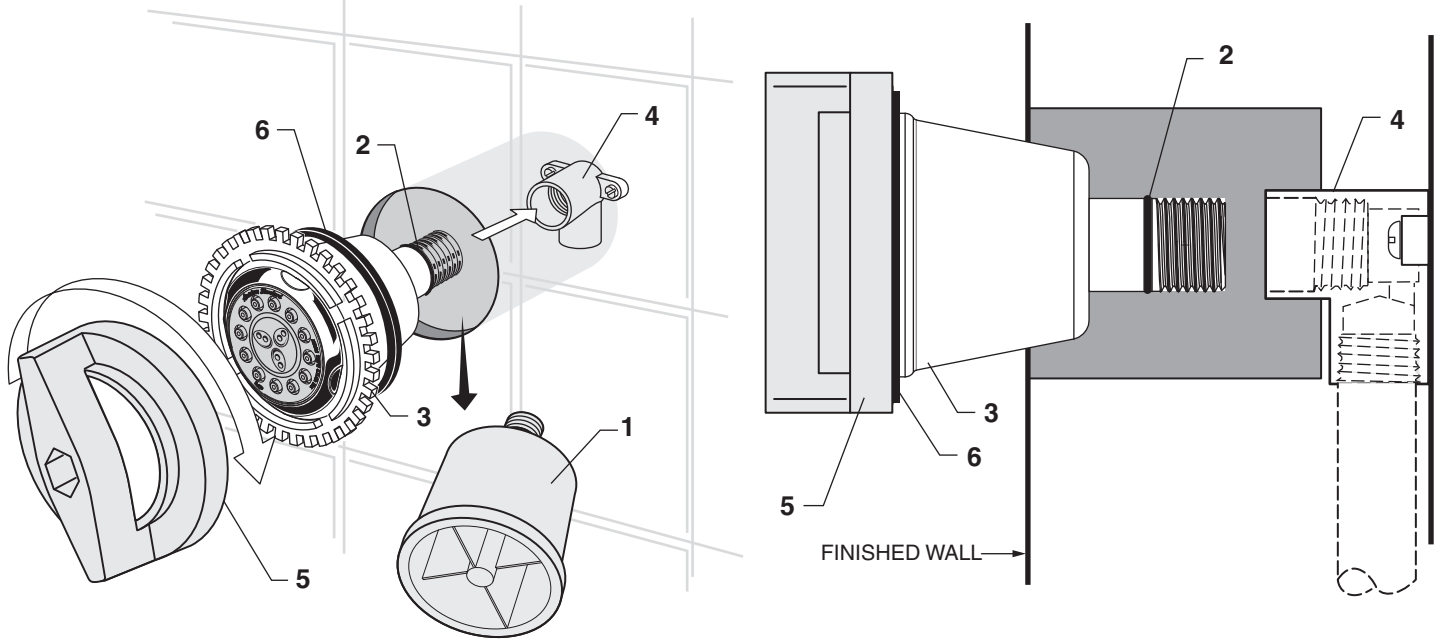
INSTALL PLASTER GUARD

- Make sure the O-RING (3) is installed on the PLASTER GUARD (1).
- Install the PLASTER GUARD (1) into ELBOW (2). **Note:** The finished wall must be between the Min. & Max. lines on the PLASTER GUARD (1).
- Complete all tiling and wall work. When walls are finished remove PLASTER GUARD (1).



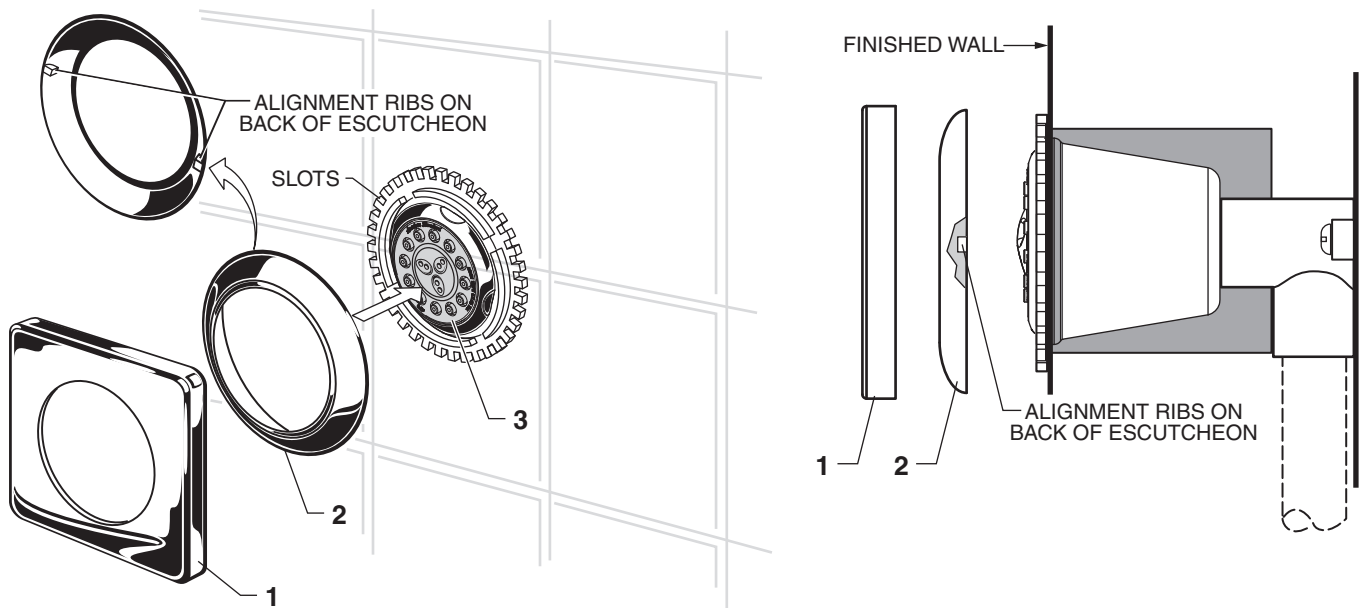
3 INSTALL BODY SPRAY

- Remove the PLASTER GUARD (1) if not already removed.
- Make sure the O-RING (2) and FLANGE GASKET (6) are installed on the BODY SPRAY (3). Thread BODY SPRAY (3) into the ELBOW (4).
- Tighten BODY SPRAY (3) using WRENCH (5) supplied until flush against finished wall and FLANGE GASKET (6) is compressed. Turn on water supply and test installed BODY SPRAY (3) for leaks and proper operation.



4 INSTALL ESCUTCHEON

- Align ribs on back of ESCUTCHEON (1, 2), with slots in BODY SPRAY (3). Push ESCUTCHEON (1, 2) against BODY SPRAY (3) until ESCUTCHEON (1, 2) snaps into place.
- Turn on water supply and test installed BODY SPRAY (3) for leaks and proper operation.



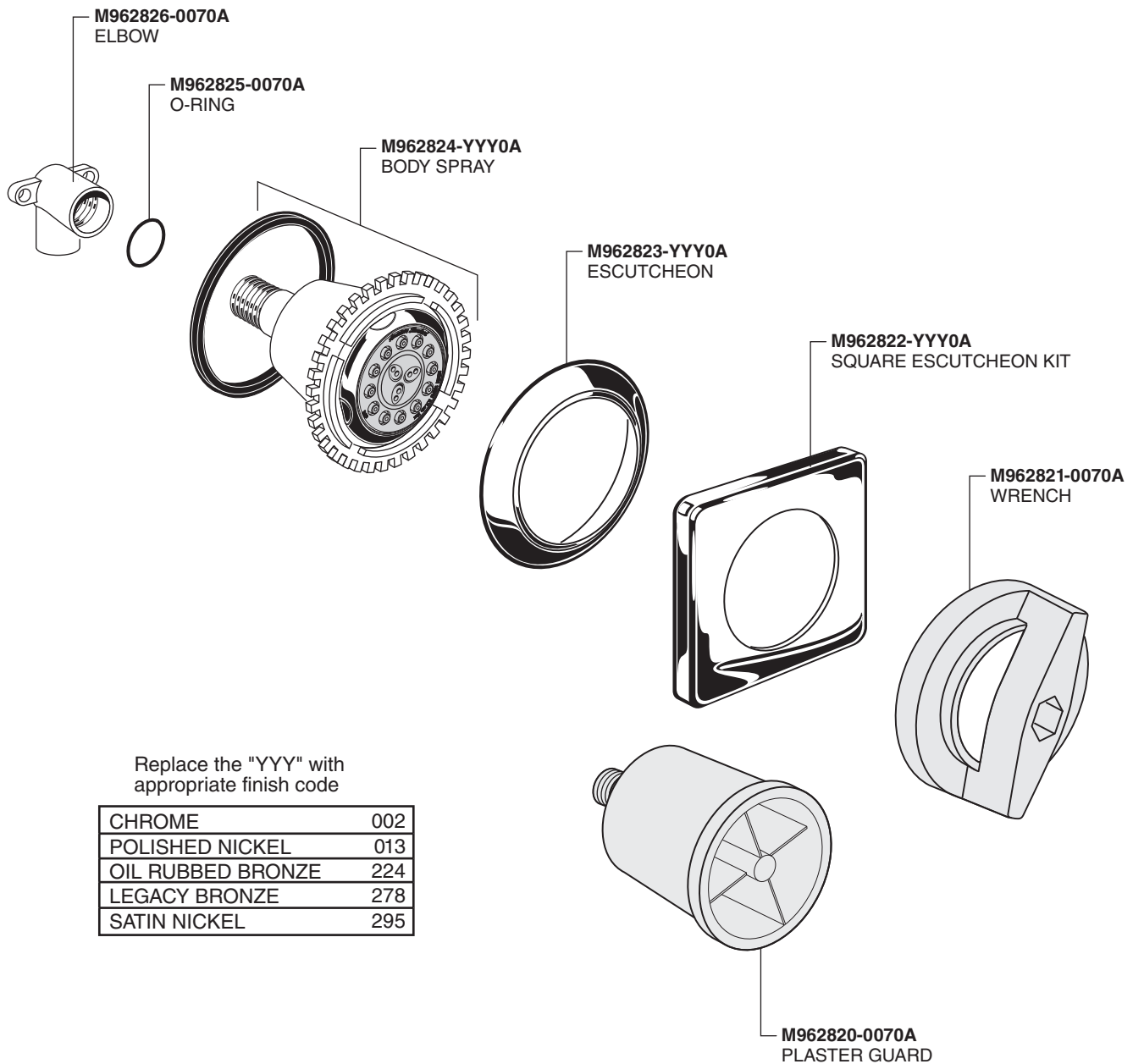
5 CARE:

- DO: SIMPLY RINSE THE PRODUCT CLEAN WITH CLEAR WATER. DRY WITH A SOFT COTTON FLANNEL CLOTH.**
- DO NOT: DO NOT CLEAN THE PRODUCT WITH SOAPS, ACID, POLISH, ABRASIVES, HARSH CLEANERS, OR A CLOTH WITH A COARSE SURFACE.**

LUXURY SHOWER EXTENDER BODY SPRAYS

MODEL NUMBERS

1660.130
1660.140



Replace the "YYY" with appropriate finish code

CHROME	002
POLISHED NICKEL	013
OIL RUBBED BRONZE	224
LEGACY BRONZE	278
SATIN NICKEL	295

HOT LINE FOR HELP

For toll-free information and answers to your questions, call:
1 (800) 442-1902

Mon. - Fri. 8:00 a.m. to 8:00 p.m. EST
Saturday 10:00 a.m. to 4:00 p.m. EST

IN CANADA 1-800-387-0369
(TORONTO 1-905-306-1093)

Weekdays 8:00 a.m. to 7:00 p.m. EST

IN MEXICO 01-800-839-1200



Product names listed herein are trademarks of AS America, Inc.
© AS America, Inc. 2017

PART OF **LIXIL**

M968617 Rev.1.4 (10/17)