

ALANA II – EVERYDAY BATHS

60 x 42 x 20 ¼ inches

SOAKER MODEL #2760410

WHIRLPOOL MODEL #2760411



FEATURES

- Alcove bath
- Integral armrests
- Ergonomic backrest
- Integral tiling flange (3T)
- Integral skirt
- Slip-resistant textured bottom
- Left or right hand drain
- AcrylX™ applied acrylic surface
- Lifetime limited warranty

Whirlpool Features:

- 4 directional hydrotherapy jets
- Available in White and Biscuit/Linen only
- Color matched trim
- 1 air control
- Pneumatic on/off control
- Advanced safety suction system

AQUATIC ADVANTAGE

- National distribution
- 7 manufacturing facilities
- Private fleet
- Centralized customer service
- Field support

COLOR OPTIONS

Stock	Upgraded	Premium
White	Almond Biscuit/Linen Bone	Black Mexican Sand Sand Bar Sterling Silver

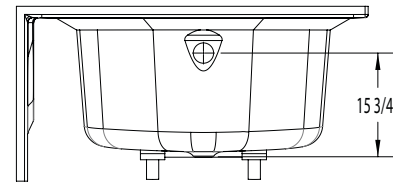
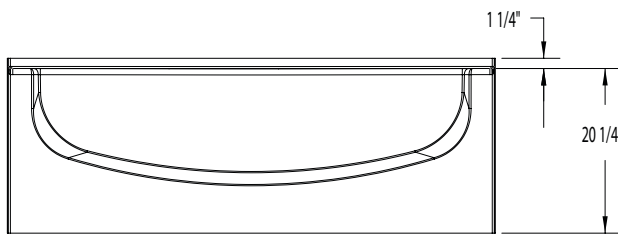
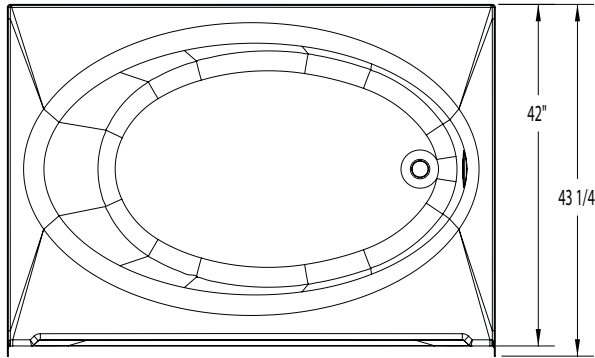
OPTIONS

- Designer drain, waste & overflow



ALANA II

60 x 42 x 20 1/4 inches



FEATURES lbs Dimensional Tolerance $\pm \frac{3}{16}$ ". Dimensions needed for site preparation should be measured from the unit. Aquatic assumes no responsibility for preparatory work.

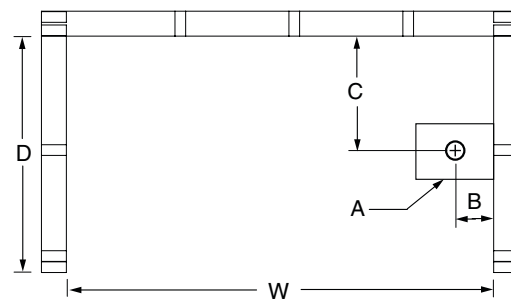
Model #	Material	Jets	Motor	Controls	Drain	Net Wt.	Pkg. Wt.
Soaker #2760410	AcrylX™	0	–	–	LH or RH	80	85
Whirlpool #2760411	AcrylX™	4	63 GPM	Pneumatic	LH or RH	130	135

DIMENSIONS

Specifications	inches
Width: Overall / Net	60
Depth: Overall / Net	43 1/4 / 42
Height: Overall / Net	21 1/2 / 20 1/4
Enclosure Opening	–
Skirt Height	20 1/4
Drain Rough-In (from Back Wall)	20 1/4
Drain Rough-In (from Side Wall)	2 1/2
Drain: Diameter / Clearance	2 / 3

FRAMING DIMENSIONS inches

Type	D Depth	W Width	H Height	A	B	C
Alcove	43 1/4	60 1/8	19 3/4	Box Out	2 1/2	20 1/4



SUMP DATA

Top of Drain to Bottom of Overflow	Capacity to Overflow gal	Min. Operating Capacity gal	WIDTH @ centerline		DEPTH @ centerline	
			Top	Bottom	Top	Bottom
10 5/8	55	50	52	42	29 1/2	27 1/2