

2603TRIOM – REMODELINE SECTIONALS

60 x 30 x 74 inches



FEATURES

- 3-piece tub-shower
- Smooth wall
- Molded toiletry shelves
- Left or right hand drain*
- Above-floor rough
- AcrylX™ applied acrylic surface
- Lifetime limited warranty

OPTIONS

- Grab bar reinforcement
- Factory installed assisted care grab bars
- Brass shower drain
- Shower Door Series L0516

* Shelves are always oriented to the right side of the back wall (as shown in image), no matter the drain location.

AQUATIC ADVANTAGE

- National distribution
- 7 manufacturing facilities
- Private fleet
- Centralized customer service
- Field support

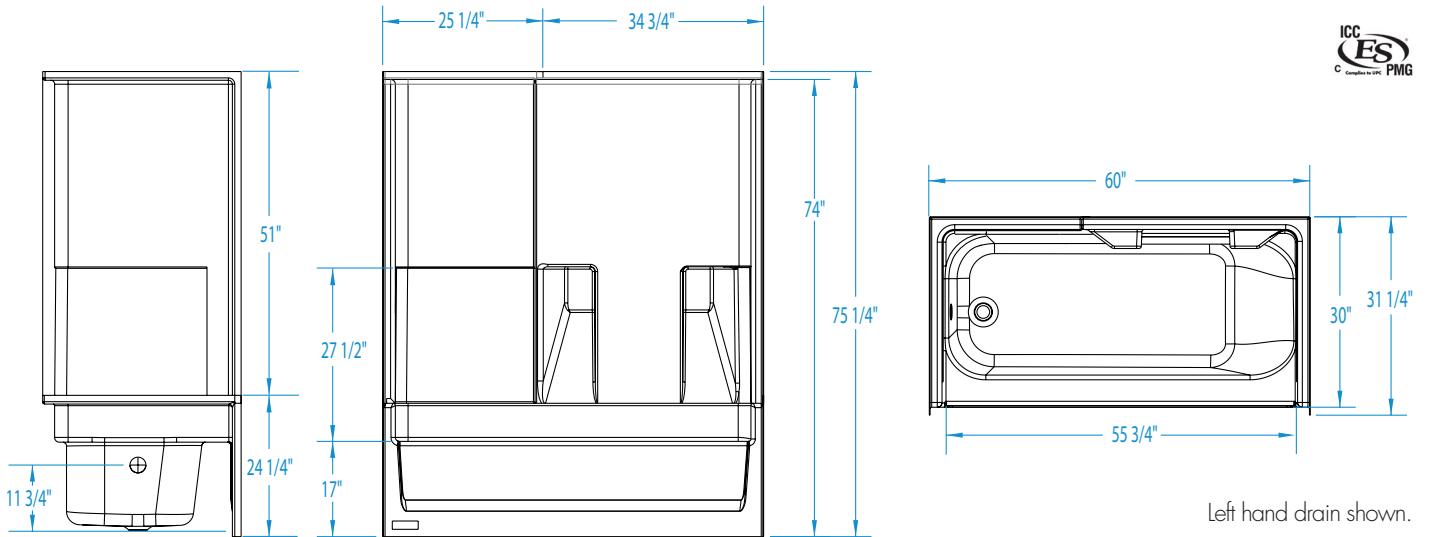
COLOR OPTIONS

Stock	Upgraded	Premium
White	Almond Biscuit/Linen Bone	Black Mexican Sand Sand Bar Sterling Silver



2603TRIOM

60 x 30 x 74
inches



Left hand drain shown.

Shelves are always oriented to the right side of the back wall (as shown in image), no matter the drain location.

FEATURES lbs Dimensional Tolerance $\pm \frac{3}{8}$ ". Dimensions needed for site preparation should be measured from the unit. Aquatic assumes no responsibility for preparatory work.

Model #	Material	Wall Finish	Pieces	Drain	Net Wt.	Pkg. Wt.
AFR Tub-Shower 2603TRIOM	AcrylX™	Smooth	3	LH or RH	141	146

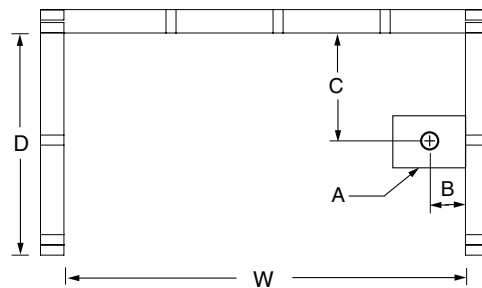
DIMENSIONS

Specifications	inches
Width: Overall / Net	60
Depth: Overall / Net	31 1/4 / 30
Height: Overall / Net	75 1/4 / 74
Enclosure Opening	55 3/4
Skirt Height	17
Drain Rough-In (from Back Wall)	15
Drain Rough-In (from Side Wall)	2
Drain: Diameter / Clearance	2 / 3

FRAMING DIMENSIONS

 inches

Type	D Depth	W Width	H Height	A	B	C
Alcove	31 1/4	60	-	Box Out	2	15



SUMP DATA

Top of Drain to Bottom of Overflow	Capacity to Overflow gal	WIDTH @ centerline		DEPTH @ centerline	
		Top	Bottom	Top	Bottom
9 7/8	42	54 1/2	43 3/4	21 1/4	20